

BeO

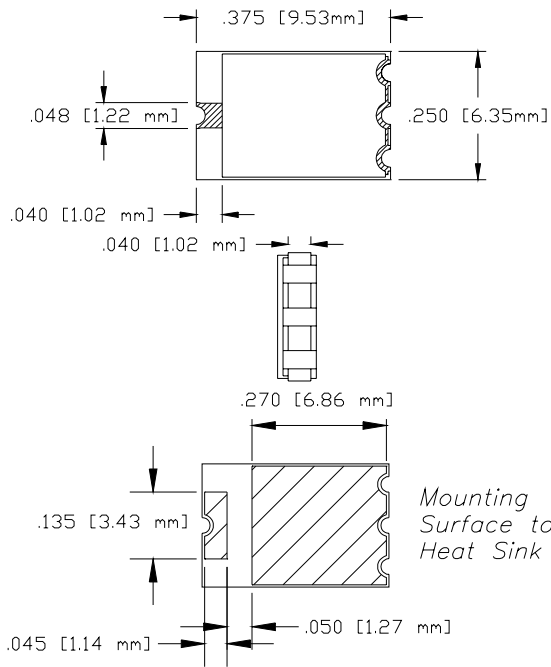
CHIP TERMINATION

Features:

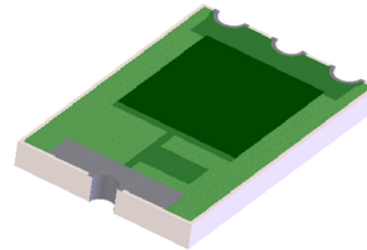
- ◆ BeO Material
- ◆ DC - 2 GHz Performance
- ◆ 50 Watt Input Power
- ◆ Solder Mountable
- ◆ CT - Matte Tin over Nickel over Silver

General Description:

The TZC3725CT-XXXX*JN-99 is a solder mountable BeO chip termination. It has an input power of 50 watts, while maintaining a constant mounting surface temperature of 100°C. It offers a frequency range from DC to 2 GHz. (See below for ordering options.)



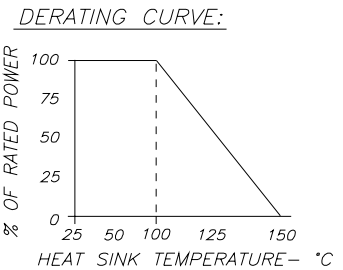
Dimensions in inches
Tolerance $\pm .010$
unless otherwise stated



*XXXX = Resistance Value in Ohms

0.5	R500
1	1R00
10	10R0
50	50R0
100	1000
150	1500
1K	1001
10K	1002
100K	1003
470K	4703
1M	1004

Sample part number:
TZC3725CT-50R0JN-99



Parameter	Min.	Typ.	Max.	Units
Frequency Range	DC		2	GHz
Input Return Loss	17			dB
Input Power			50	Watts
Resistance		+/- 5%		Ohms
Mounting Surface Temperature			100	°C

Barry Industries reserves the right to change part number and or process without notification.

Barry Industries, Inc., 60 Walton St., Attleboro, MA 02703 T: 508-226-3350 F: 508-226-3317 E-mail: sales@barryind.com
Barry Industries maintains an ISO 9001 Certified Quality Management System

Origination Date	Revision Date	Rev.
05/31/07	02/12/08	A