

**ALUMINUM NITRIDE**

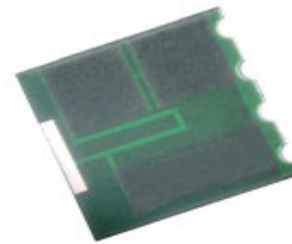
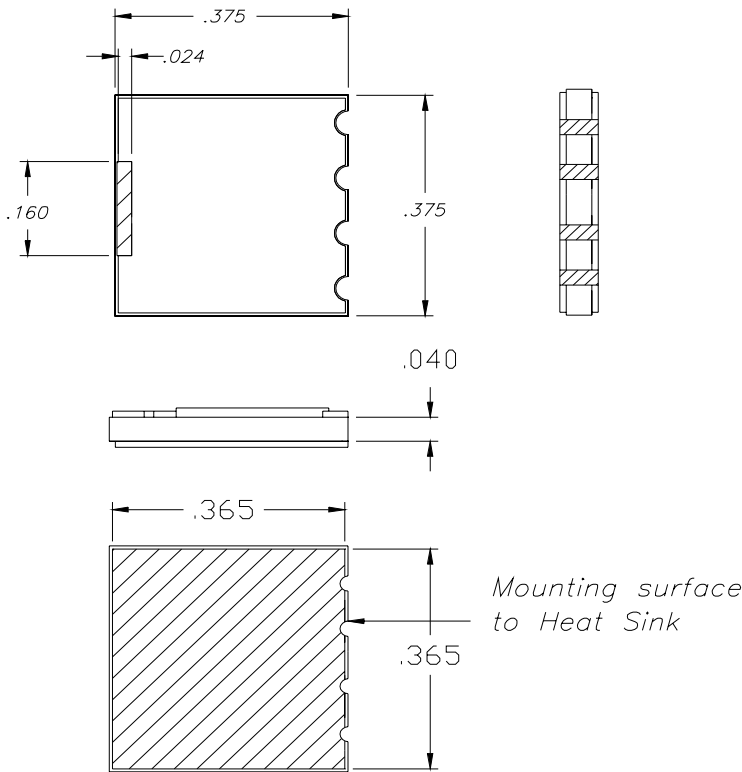
**CHIP TERMINATION**

**Features:**

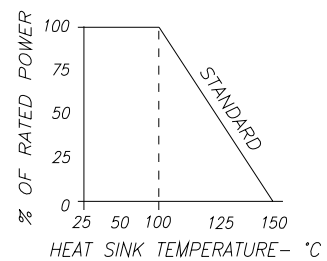
- ◆ AIN material
- ◆ DC- 3.5 GHz performance
- ◆ 250 Watts power handling

**General Description:**

The TVC3737CT-50R0JN-2T-08 is a 50 Ohm solder mountable Aluminum Nitride termination capable of dissipating 250 Watts with a frequency range from DC to 3.5 GHz.



DERATING CURVE:



Parameter	Min.	Typ.	Max.	Units
Frequency Range	DC		3.5	GHz
Return Loss	17.7			dB
Power			250	Watts
Heat Sink Temperature			100	°C

\* Barry Industries reserves the right to change part number and or process without notification

Barry Industries, Inc., 60 Walton St., Attleboro, MA 02703 T: 508-226-3350 F: 508-226-3317 E-mail: sales@barryind.com

Barry Industries maintains an ISO 9001 Certified Quality Management System

Origination Date	Revision Date	Rev.
09/11/06	09/11/06	-