

BeO

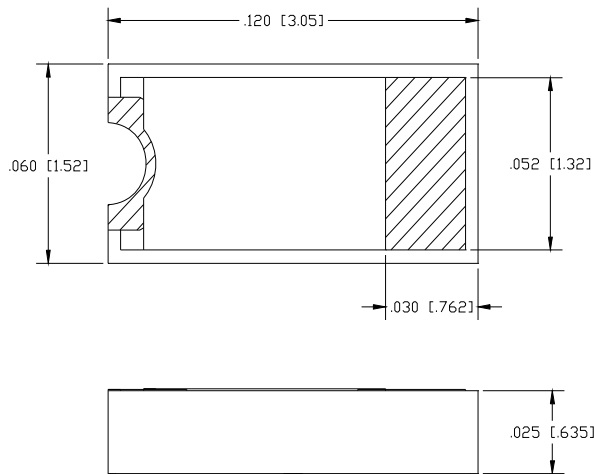
CHIP TERMINATION

Features:

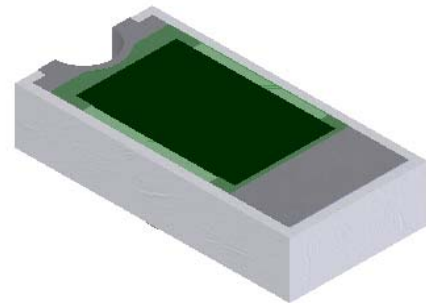
- ◆ BeO Material
- ◆ DC - 4 GHz Performance
- ◆ 20 Watt Input Power
- ◆ Solder Mountable

General Description:

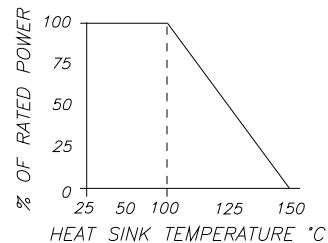
The TVC1206CT-50R0JN-98 is a 50 ohm, BeO chip termination. It has an input power rating of 20 watts, while maintaining a constant mounting surface temperature of 100°C. It offers a frequency range from DC to 4 GHz.



Dimensions in inches [mm]
Tolerance $\pm .005$ [.127]
unless otherwise stated



DERATING CURVE:



Parameter	Min.	Typ.	Max.	Units
Frequency Range	DC		4	GHz
Input Return Loss	20			dB
Input Power			20	Watts
Mounting Surface Temperature			100	°C

Barry Industries reserves the right to change part number and or process without notification.

Barry Industries, Inc., 60 Walton St., Attleboro, MA 02703 T: 508-226-3350 F: 508-226-3317 E-mail: sales@barryind.com

Barry Industries maintains an ISO 9001 Certified Quality Management System

Origination Date	Revision Date	Rev.
09/08/03	02/23/09	C