



WWW.BARRYIND.COM

TV1206CB-50R0GN-96-04

BEO

CHIP TERMINATION

Features:

- ◆ BeO Material
- ◆ DC - 18 GHz Performance
- ◆ 40 Watt Input Power
- ◆ CB - Tin Lead over Nickel over Silver

General Description:

The TV1206CB-50R0GN-96-04 is a 50 ohm BeO chip termination. It has an input power rating of 40 watts, while maintaining a constant mounting surface temperature of 100°C. It offers an excellent frequency range from DC to 18 GHz.

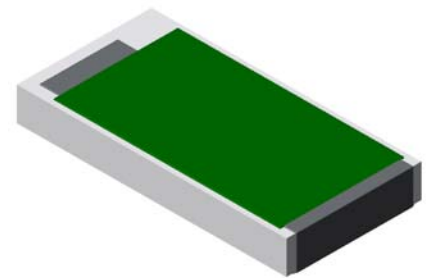
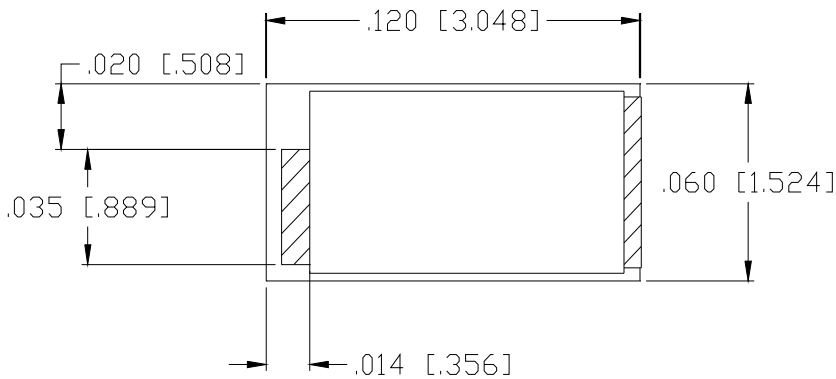
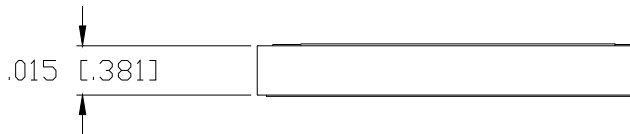
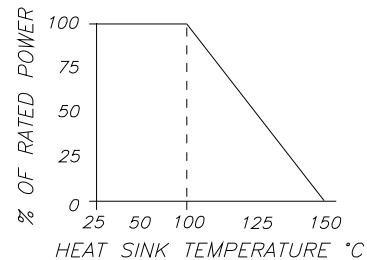


Image for references purposes only.



Dimensions in inches [mm]
Tolerance $\pm .005$ [.127]
unless otherwise stated

DERATING CURVE:



Parameter	Min.	Typ.	Max.	Units
Frequency Range	DC		18	GHz
Resistance	49	50	51	Ohms
Input Return Loss	20			dB
Input Power			40	Watts
Mounting Surface Temperature			100 150 (0% Power)	°C

Barry Industries reserves the right to change part number and or process without notification.

Barry Industries, Inc., 60 Walton Str., Attleboro, MA 02703 T: 508-226-3350 F: 508-226-3317 E-mail: sales@barryind.com
Barry Industries maintains an ISO 9001 Certified Quality Management System

Origination Date	Revision Date	Rev.
10/17/11	10/17/11	-