



TV0402HA-50R0JN-96



WWW.BARRYIND.COM

BeO

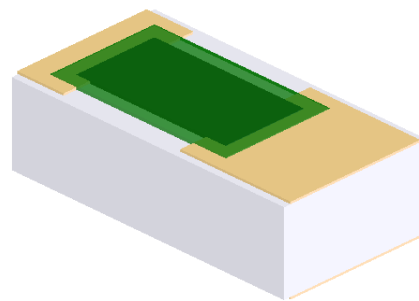
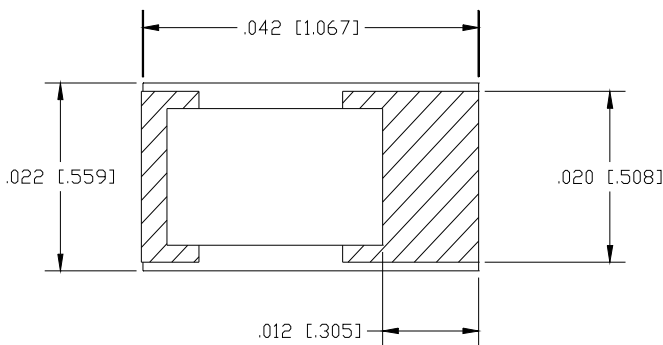
Chip Termination

Features:

- ◆ BeO Material
- ◆ DC - 26 GHz Performance
- ◆ 2.5 Watt Input Power
- ◆ HA = Gold over Platinum Gold Input/Output with Platinum Gold Ground

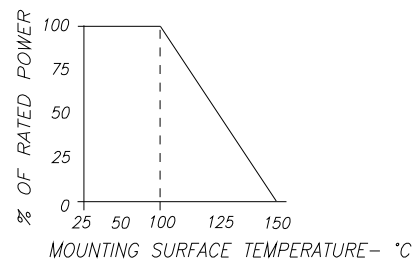
General Description:

The TV0402HA-50R0JN-96 is a 50 ohm, BeO chip termination. It has an input power rating of 2.5 watts, while maintaining a constant mounting surface temperature of 100°C. It offers a frequency range from DC to 26 GHz.



Dimensions in inches [mm]
Tolerance ± .005 [.127]
unless otherwise stated

DERATING CURVE:



Parameter	Min.	Typ.	Max.	Units
Frequency Range	DC		26	GHz
Return Loss	15	25		dB
Input Power			2.5	Watts
Mounting Surface Temperature			100	°C
Operating Voltage (DC)			50	Volts

Barry Industries reserves the right to change part number and or process without notification.

Barry Industries, Inc., 60 Walton St., Attleboro, MA 02703 T: 508-226-3350 F: 508-226-3317 E-mail: sales@barryind.com
Barry Industries maintains an ISO 9001 Certified Quality Management System

Origination Date	Revision Date	Rev Level
12/03/09	12/03/09	-