



WWW.BARRYIND.COM

TA50R0-250-20X



ALUMINUM NITRIDE

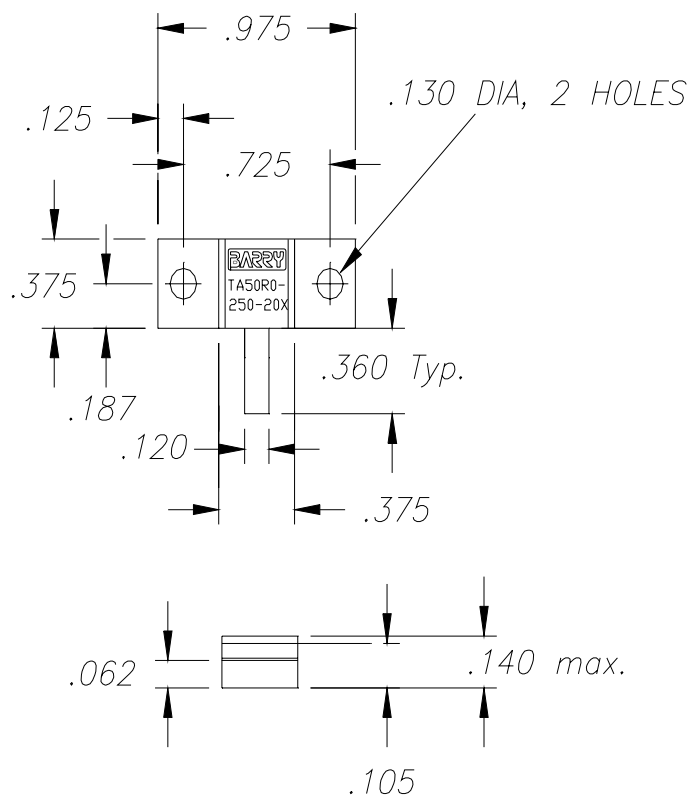
TERMINATION

Features:

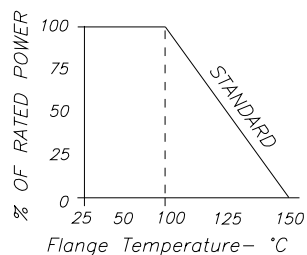
- ◆ AIN material
- ◆ DC- 3 GHz performance
- ◆ 250 Watts input power

General Description:

The TA50R0-250-20X is a 50 Ohm Aluminum Nitride termination mounted onto a flange capable of an input power of 250 Watts while maintaining a flange temperature of 100°C with a frequency range from DC to 3 GHz.



DERATING CURVE:



Parameter	Min.	Typ.	Max.	Units
Frequency Range	DC		3	GHz
Return Loss	19			dB
Input Power			250	Watts
Resistance	47.5	50.0	52.5	Ohms
Flange Temperature			100	°C

* Barry Industries reserves the right to change part number and or process without notification

Barry Industries, Inc., 60 Walton St., Attleboro, MA 02703 T: 508-226-3350 F: 508-226-3317 E-mail: sales@barryind.com

Barry Industries maintains an ISO 9001 Certified Quality Management System

Origination Date	Revision Date	Rev.
04/05/07	04/05/07	-