



WWW.BARRYIND.COM

# T50R0-100-30E



BeO

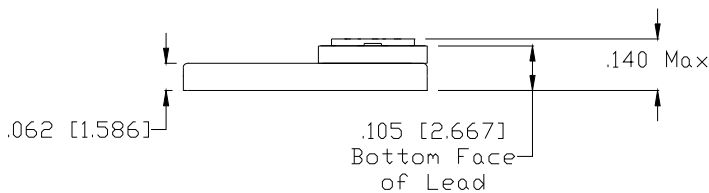
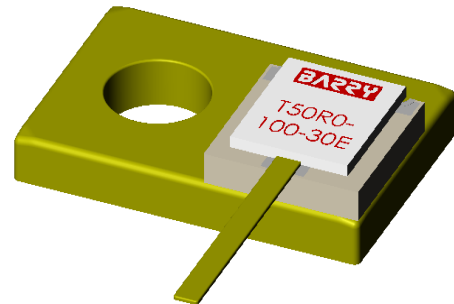
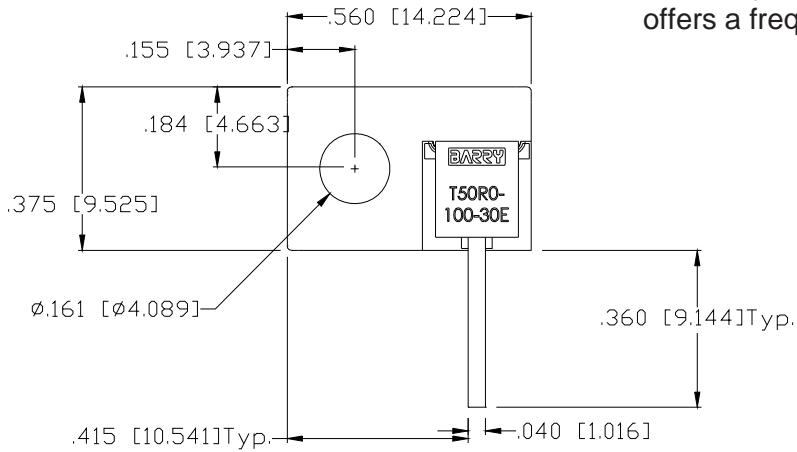
## FLANGED TERMINATION

### Features:

- ◆ BeO Material
- ◆ DC - 6 GHz performance
- ◆ 100 Watt Input Power
- ◆ Flange Mount

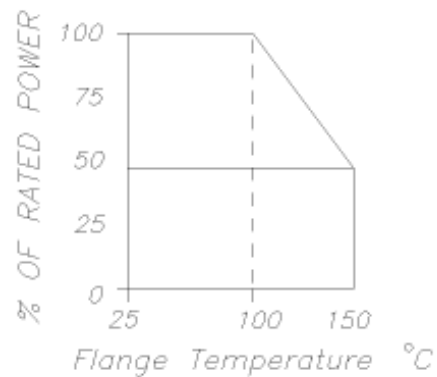
### General Description:

The T50R0-100-30E is a flanged, 50 ohm BeO termination. It has an input power rating of 100 watts at continuous RF power, at flange temperatures up to 100°C, and derated performance to 150°C. Its all brazed construction ensures that the device stays intact during assembly and offers improved cycling performance. It offers a frequency range of DC to 6 GHz.



Dimensions in inches [mm]  
Tolerance  $\pm$  .010 [.254]  
unless otherwise stated

### DERATING CURVE:



Parameter	Min.	Typ.	Max.	Units
Frequency Range	DC		6	GHz
Input Return Loss	17			dB
Resistance	47.5	50	52.5	Ohms
Power			100	Watts
Flange Temperature			100	°C

Barry Industries reserves the right to change part number and or process without notification.

Barry Industries, Inc., 60 Walton St., Attleboro, MA 02703 T: 508-226-3350 F: 508-226-3317 E-mail: sales@barryind.com

Barry Industries maintains an ISO 9001 Certified Quality Management System

Origination Date	Revision Date	Rev.
08/09/12	08/09/12	-