

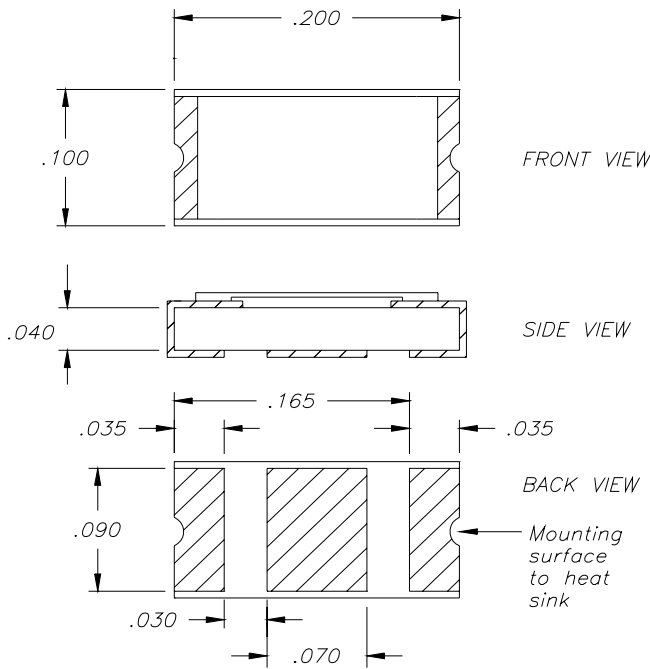
BeO SURFACE MOUNT RESISTOR

Features:

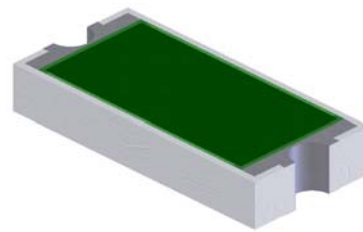
- ◆ BeO material
- ◆ 20 Watt input power
- ◆ Surface mountable

General Description:

The RYC2010CT-XXXX*JN-99 is a BeO surface mount resistor, with a matte tin over nickel over silver finish. It offers an input power of 20 watts.



Dimensions in inches
Tolerance ± .010 unless otherwise stated

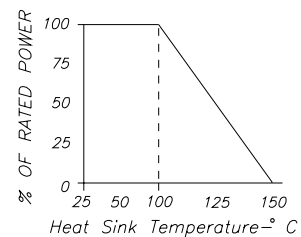


* XXXX = Resistance Value in Ohms

- Ohms
- 0.5....R500
 - 11R00
 - 10....10R0
 - 50....50R0
 - 100...1000
 - 150...1500
 - 1K....1001

Sample part number:
RYC2010CT-50R0JN-99

DERATING CURVE:



Parameter	Min.	Typ.	Max.	Units
Input Power			20	Watts
Resistance		+/- 5%		
Heat Sink Temperature			100	°C

* Barry Industries reserves the right to change part number and or process without notification

Barry Industries, Inc., 60 Walton St., Attleboro, MA 02703 T: 508-226-3350 F: 508-226-3317 E-mail: sales@barryind.com

Barry is ISO 9001:2000 Certified by



Origination Date	Revision Date	Rev.
8/7/07	8/7/07	-