



# D08Z-50R0J2T-04C36-X



WWW.BARRYIND.COM

## ALUMINUM NITRIDE

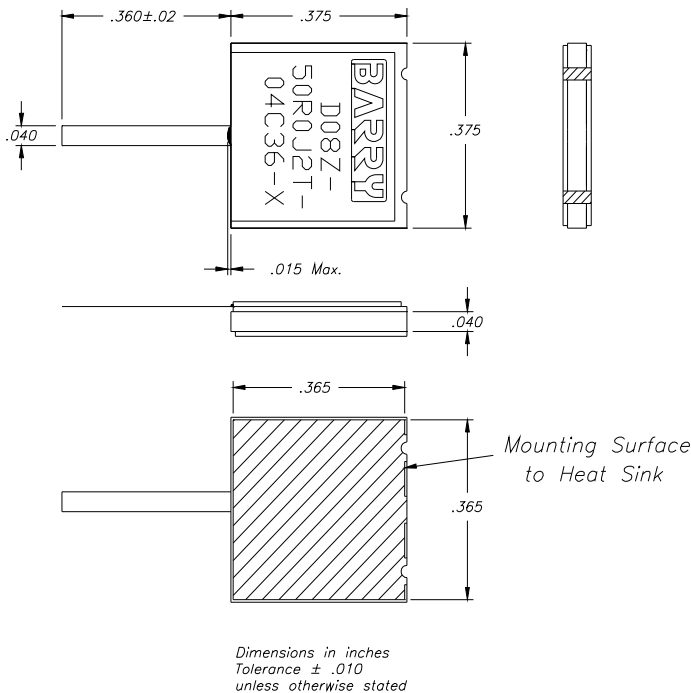
## LEADED TERMINATION

### Features:

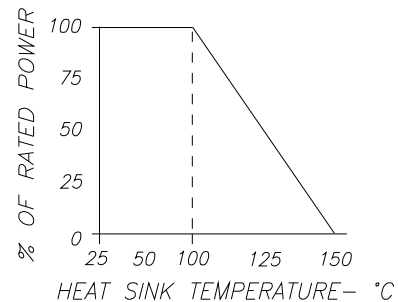
- ◆ Aluminum Nitride Material
- ◆ DC - 2.5 GHz Performance
- ◆ 250 Watt Input Power
- ◆ Solder Mountable

### General Description:

The D08Z-50R0J2T-04C36-X is a leaded, 50 ohm Aluminum Nitride termination. It has an input power of 250 watts, while maintaining a constant mounting surface temperature of 100°C. It offers a frequency range from DC to 2.5 GHz.



### DERATING CURVE:



| Parameter                    | Min. | Typ. | Max.                  | Units |
|------------------------------|------|------|-----------------------|-------|
| Frequency Range              | DC   |      | 2.5                   | GHz   |
| Input Return Loss            | 19   | 25   |                       | dB    |
| Input Power                  |      |      | 250                   | Watts |
| Resistance                   | 47.5 | 50   | 52.5                  | Ohms  |
| Mounting Surface Temperature |      |      | 100<br>150 (0% Power) | °C    |

Barry Industries reserves the right to change part number and or process without notification.

Barry Industries, Inc., 60 Walton St., Attleboro, MA 02703 T: 508-226-3350 F: 508-226-3317 E-mail: sales@barryind.com  
Barry Industries maintains an ISO 9001 Certified Quality Management System

| Origination Date | Revision Date | Rev. |
|------------------|---------------|------|
| 07/26/10         | 03/14/11      | A    |