



WWW.BARRYIND.COM

# AVC3725CT-3000GN-99-02



BeO

30dB

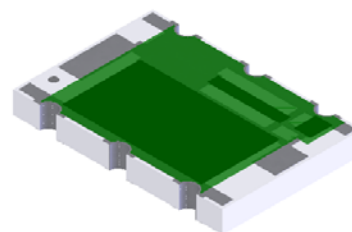
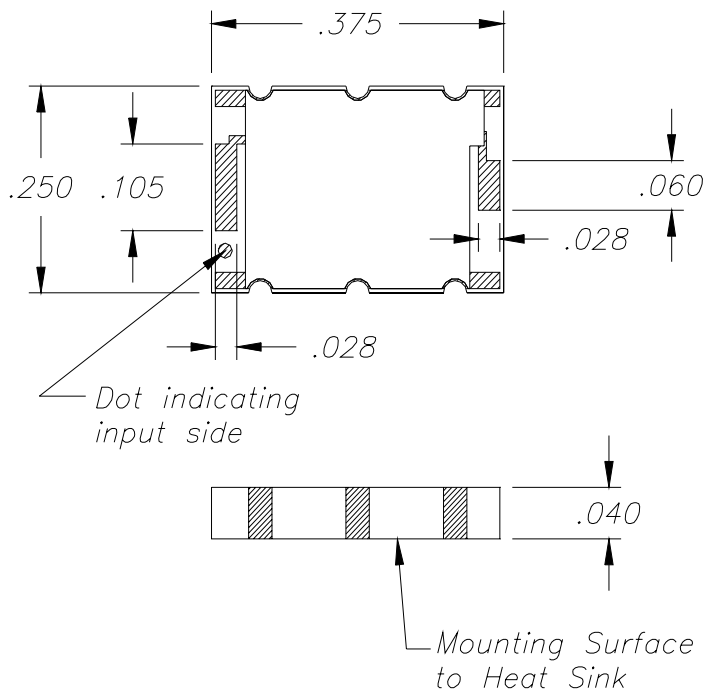
CHIP ATTENUATOR

### Features:

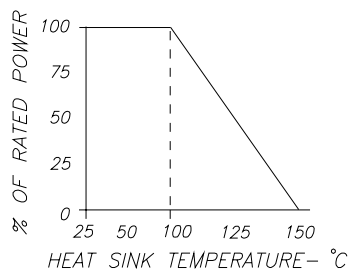
- ◆ BeO Material
- ◆ DC - 2.0 GHz Performance
- ◆ 250 Watt Input Power
- ◆ CT - Matte Tin over Nickel over Silver
- ◆ Solder Mountable

### General Description:

The AVC3725CT-3000GN-99-02 is a 30 dB BeO chip attenuator. It has an input power of 250 watts max, while maintaining a constant mounting surface temperature of 100°C. It offers a frequency range from DC - 2.0 GHz.



DERATING CURVE:



Parameter	Min.	Typ.	Max.	Units
Frequency Range	DC		2.0	GHz
Attenuation	30	30	31	dB
Input Return Loss	19			dB
Output Return Loss	19			dB
Input Power			250	Watts
Reverse Power (output)			2	Watts
Mounting Surface Temperature			100	°C

Barry Industries reserves the right to change part number and or process without notification

Barry Industries, Inc., 60 Walton St., Attleboro, MA 02703 T: 508-226-3350 F: 508-226-3317 E-mail: sales@barryind.com

Barry Industries maintains an ISO 9001 Certified Quality Management System

Origination Date	Revision Date	Rev.
06/27/07	01/28/08	A