



WWW.BARRYIND.COM

# TZC2525CB-50R0JN-99

## BeO

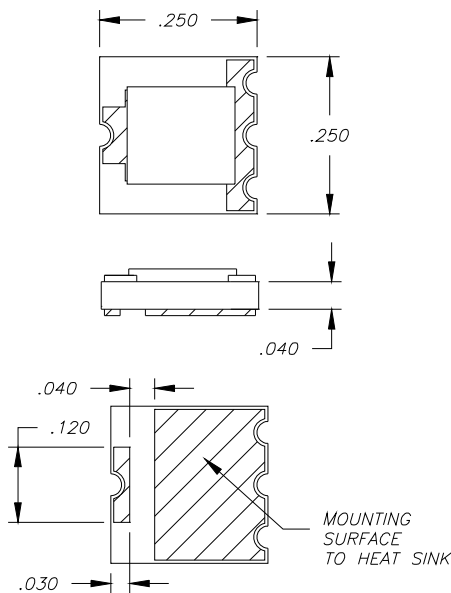
## SURFACE MOUNT TERMINATION

### Features:

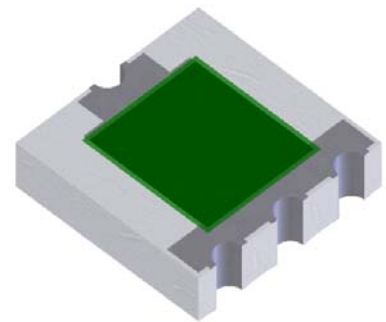
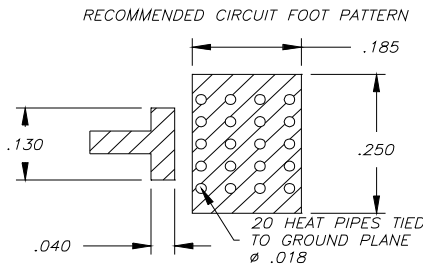
- ◆ BeO Material
- ◆ 100 Watt Input Power
- ◆ DC - 2 GHz Performance
- ◆ Surface Mountable
- ◆ CB =Tin Lead over Nickel over Silver

### General Description:

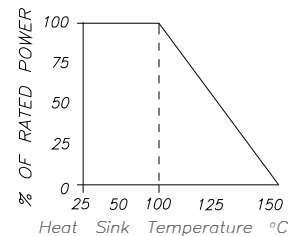
The TZC2525CB-50R0JN-99 is a 50 ohm, BeO surface mountable termination. It has an input power rating of 100 watts, while maintaining a constant mounting surface temperature of 100 °C. It offers a frequency range from DC to 2 GHz.



Dimensions in inches  
Tolerance  $\pm .010$   
unless otherwise stated



DERATING CURVE:



Parameter	Min.	Typ.	Max.	Units
Frequency Range	DC		2	GHz
Return Loss	15	20		dB
Input Power			100	Watts
Resistance	47.5	50	52.5	Ohms
Mounting Surface Temperature			100 150 (0% Power)	°C

Barry Industries reserves the right to change part number and or process without notification.

Barry Industries, Inc., 60 Walton St., Attleboro, MA 02703 T: 508-226-3350 F: 508-226-3317 E-mail: sales@barryind.com

Barry Industries maintains an ISO 9001 Certified Quality Management System

Origination Date	Revision Date	Rev.
07/11/03	12/07/11	B