



# TZC2525CB-50R0JN-98

WWW.BARRYIND.COM

BeO

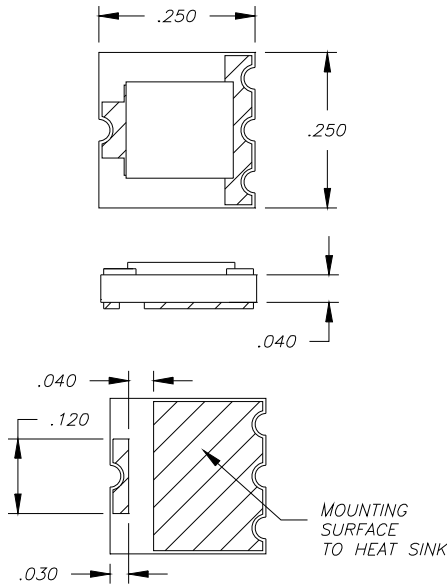
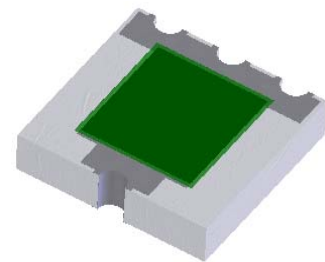
## SURFACE MOUNT TERMINATION

### Features:

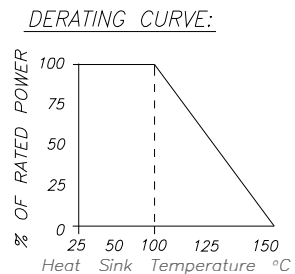
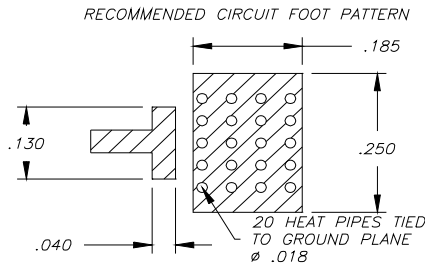
- ◆ BeO Material
- ◆ DC - 2 GHz Performance
- ◆ 100 Watt Input Power
- ◆ Surface Mountable
- ◆ CB = Tin Lead over Nickel over Silver

### General Description:

The TZC2525CB-50R0-JN-98 is a BeO surface mountable termination. It has an input power rating of 100 watts, while maintaining a constant mounting surface temperature of 100°C. It offers an operating frequency from DC to 2 GHz.



Dimensions in inches  
Tolerance  $\pm .010$   
unless otherwise stated



Parameter	Min.	Typ.	Max.	Units
Frequency Range	DC		2	GHz
Resistance	47.5	50.0	52.5	Ohms
Return Loss	15	20		dB
Input Power			100	Watts
Mounting Surface Temperature			100 150 (0% Power)	°C

Barry Industries reserves the right to change part number and or process without notification.

Barry Industries, Inc., 60 Walton St., Attleboro, MA 02703 T: 508-226-3350 F: 508-226-3317 E-mail: sales@barryind.com  
Barry Industries maintains an ISO 9001 Certified Quality Management System

Origination Date	Revision Date	Rev.
07/11/03	12/07/11	B