

ALUMINUM NITRIDE

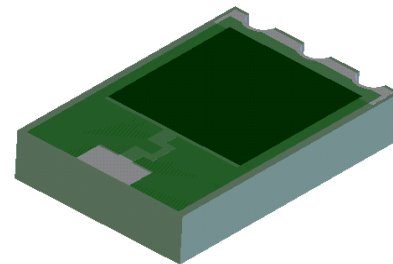
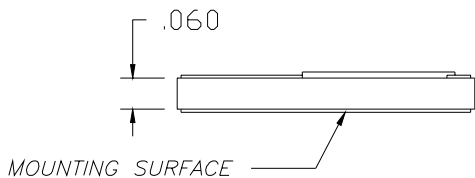
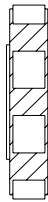
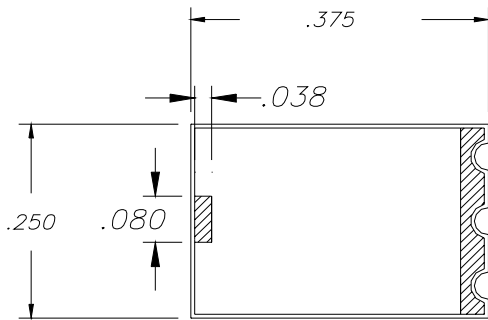
TERMINATION

Features:

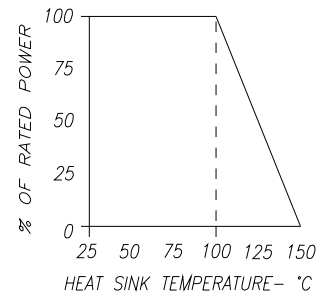
- ◆ ALN material
- ◆ DC-2 GHz performance
- ◆ 150 Watt input power

General Description:

The TVC3725CT-50R0JN-2U-12 is a solder mountable chip termination capable of an input power of 150 Watts max while maintaining a mounting surface temperature of 100°C and a frequency range from DC - 2 GHz.



DERATING CURVE:



Parameter	Min.	Typ.	Max.	Units
Frequency Range	DC		2	GHz
Return Loss	30			dB
Resistance	47.5	50	52.5	Ohms
Input Power			150	WATTS
Mounting Surface Temperature			100	°C

* Barry Industries reserves the right to change part number and or process without notification

Barry Industries, Inc., 60 Walton St., Attleboro, MA 02703 T: 508-226-3350 F: 508-226-3317 E-mail: sales@barryind.com
Barry Industries maintains an ISO 9001 Certified Quality Management System

Origination Date	Revision Date	Rev.
05/17/07	05/17/07	-