

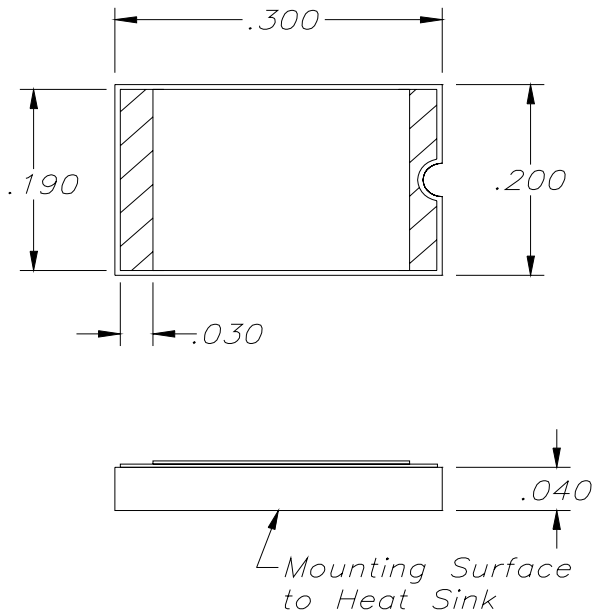
## BeO CHIP TERMINATION

**Features:**

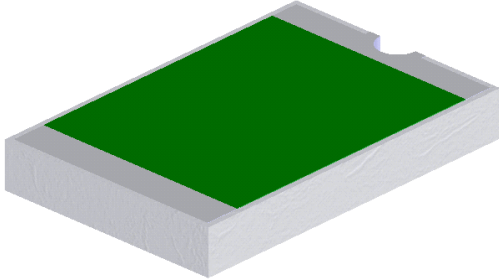
- ◆ BeO material
- ◆ DC-2 GHz performance
- ◆ 200 Watt Input power
- ◆ Solder mountable
- ◆ CT - Matte Tin over Nickel over Silver

**General Description:**

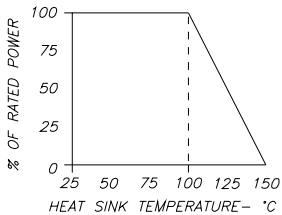
The TVC3020CT-50R0GN-99 is a 50 Ohm solder mountable chip termination capable of an input power of 200 Watts while maintaining a constant mounting surface temperature of 100°C and a frequency from DC - 2 GHz.



*Dimensions in inches  
Tolerance ± .010*



DERATING CURVE:



Parameter	Min.	Typ.	Max.	Units
Frequency Range	DC		2	GHZ
Return Loss	14			dB
Input Power			200	WATTS
Resistance	49	50	51	Ohms
Mounting Surface Temperature			100	°C

**\* Barry Industries reserves the right to change part number and or process without notification**

**Barry Industries, Inc., 60 Walton St., Attleboro, MA 02703 T: 508-226-3350 F: 508-226-3317 E-mail: sales@barryind.com  
Barry Industries maintains an ISO 9001 Certified Quality Management System**

Origination Date	Revision Date	Rev.
01/31/07	06/08/07	A