



WWW.BARRYIND.COM

TVC1907CT-XXXXJN-93



Alumina

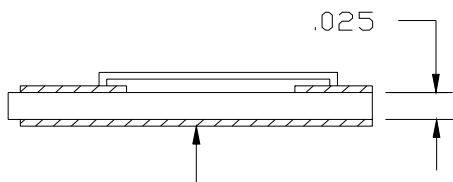
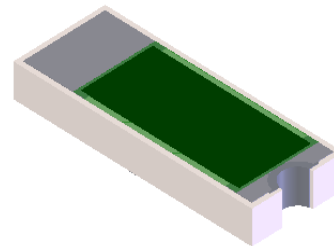
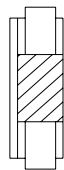
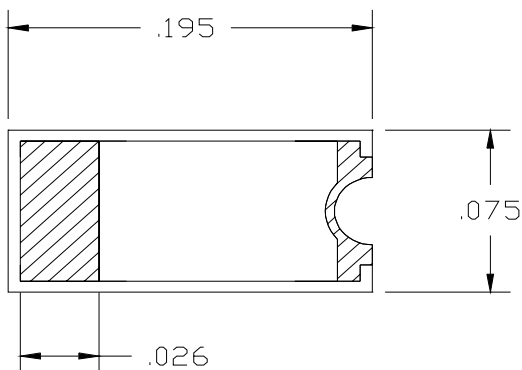
CHIP TERMINATION

Features:

- ◆ Alumina Material
- ◆ DC-3 GHz Performance
- ◆ 10 Watt Input Power
- ◆ Solder Mountable
- ◆ CT - Matte Tin over Nickel over Silver

General Description:

The TVC1907CT-XXXX*JN-93 is a solder mountable Alumina chip termination. It has an input power of 10 watts, while maintaining a mounting surface temperature of 100°C. It offers a frequency range from DC - 3 GHz.



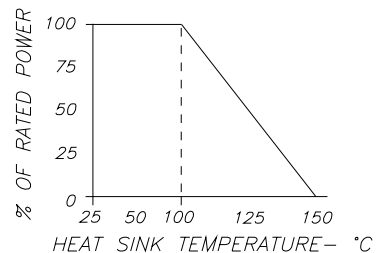
Mounting Surface to Heat Sink

Dimensions in inches
Tolerance $\pm .010$
unless otherwise stated

*XXXX = Resistance Value in Ohms

- 0.5 R500
- 1 1R00
- 10 10R0
- 50 50R0
- 100 1000
- 150 1500
- 1K 1001
- 10K 1002
- 100K 1003
- 470K 4703
- 1M 1004

DERATING CURVE:



Parameter	Min.	Typ.	Max.	Units
Frequency Range	DC		3	GHz
Input Return Loss	19			dB
Resistance		+/-5%		Ohms
Input Power			10	Watts
Mounting Surface Temperature			100	°C

Barry Industries reserves the right to change part number and or process without notification

Barry Industries, Inc., 60 Walton St., Attleboro, MA 02703 T: 508-226-3350 F: 508-226-3317 E-mail: sales@barryind.com

Barry Industries maintains an ISO 9001 Certified Quality Management System

Origination Date	Revision Date	Rev.
10/23/03	02/12/08	C