



WWW.BARRYIND.COM

RXXXX-150-8E



BeO

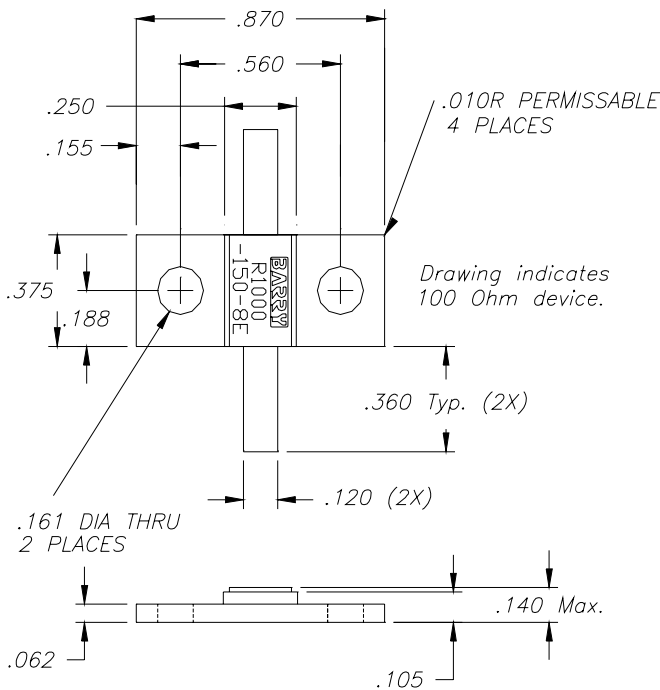
FLANGED RESISTOR

Features:

- ◆ BeO Material
- ◆ 150 Watt Input Power
- ◆ Flange Mount

General Description:

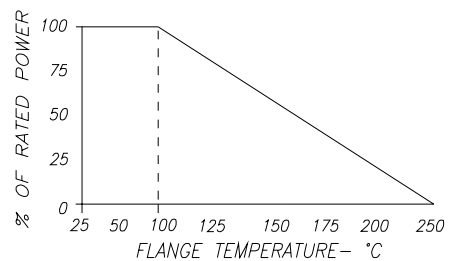
The RXXXX-150-8E is a flanged BeO resistor. It has an input power of 150 watts max, while maintaining a constant flange temperature of 100°C. It has standard resistance values of 50 ohms and 100 ohms. For other values, please contact the factory. Example part number: R1000-150-8E = 100 Ohms
R50R0-150-8E = 50 Ohms



Dimensions in inches
Tolerance $\pm .010$
unless otherwise stated



DERATING CURVE:



Parameter	Min.	Typ.	Max.	Units
Input Power			150	Watts
Resistance		+/- 5%		Ohms
Flange Temperature			100	°C

Barry Industries reserves the right to change part number and or process without notification.

Barry Industries, Inc., 60 Walton St., Attleboro, MA 02703 T: 508-226-3350 F: 508-226-3317 E-mail: sales@barryind.com

Barry Industries maintains an ISO 9001 Certified Quality Management System

Origination Date	Revision Date	Rev.
03/03/08	03/03/08	-