

BeO

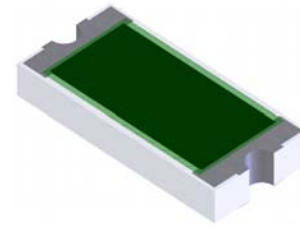
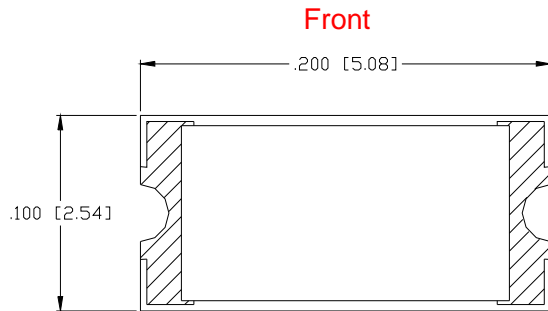
POWER CHIP RESISTOR

Features:

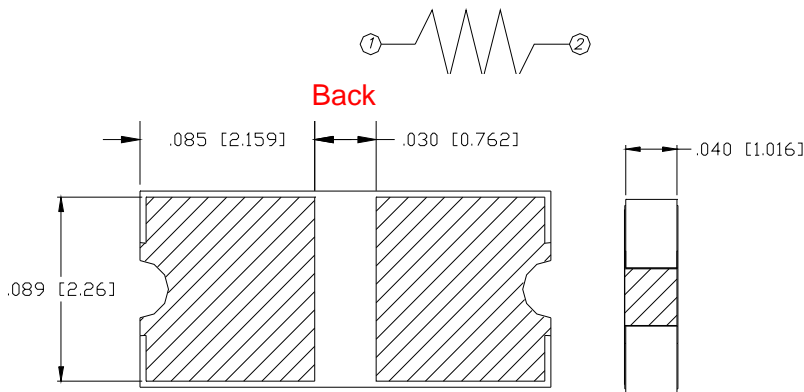
- ◆ BeO Material
- ◆ DC - 2 GHz Performance
- ◆ 30 Watt Input Power
- ◆ CT = Matte Tin over Nickel over Silver
- ◆ Surface Mountable

General Description:

The REC2010CT-XXXX*JN-99 is a standard (.5 - 1Mohm available) surface mountable BeO power chip resistor. It has an input power rating of 30 watts, while maintaining a heat sink temperature of 100°C. It offers a frequency range from DC to 2 GHz.



* XXXX = Resistance Value in Ohms
.5 - 1Mohm available

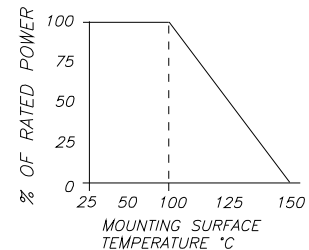


Dimensions in inches [mm]
Tolerance \pm .005 [.127]
unless otherwise stated

- Ohms
- 0.5...R500
 - 11R00
 - 10.....10R0
 - 50.....50R0
 - 100...1000
 - 150...1500
 - 1K.....1001
 - 10K...1002
 - 100K.1003
 - 470K.4703
 - 1M.....1004

Sample part number:
REC2010CT-50R0JN-99

DERATING CURVE:



Parameter	Min.	Typ.	Max.	Units
Frequency			2	GHz
Resistance Tolerance		+/- 5%		Ohms
Input Return Loss	17			dB
Input Power Rating			30	Watts
Mounting Surface Temperature			100	°C

Barry Industries reserves the right to change part number and or process without notification.

Barry Industries, Inc., 60 Walton St., Attleboro, MA 02703 T: 508-226-3350 F: 508-226-3317 E-mail: sales@barryind.com

Barry Industries maintains an ISO 9001 Certified Quality Management System

Origination Date	Revision Date	Rev.
9/25/07	06/14/10	A