

## Aluminum Nitride 0 dB FLANGED ATTENUATOR

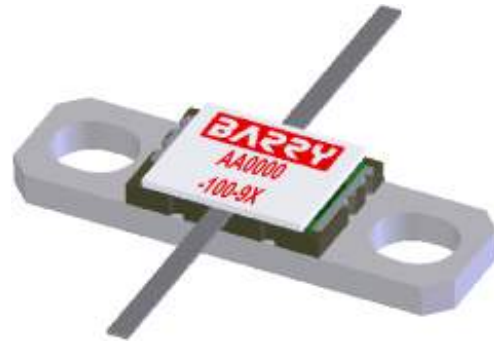
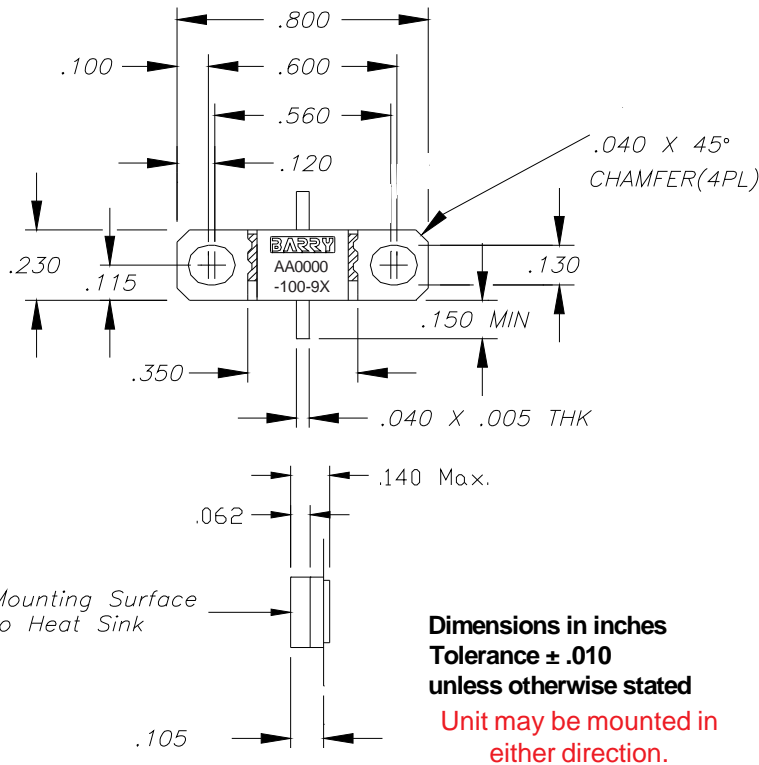
### Features:

- ◆ Aluminum Nitride Material
- ◆ DC - 2.5 GHz Performance
- ◆ 100 Watt Input Power
- ◆ Flange Mount

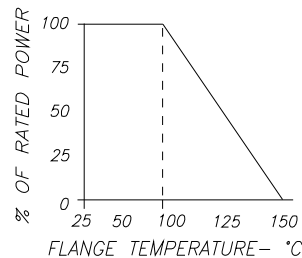
PRELIMINARY

### General Description:

The AA0000-100-9X is a flanged 0 dB, Aluminum Nitride attenuator. It has an input power of 100 watts, while maintaining a constant flange temperature of 100°C. It offers a frequency range from DC to 2.5 GHz.



DERATING CURVE:



Parameter	Min.	Typ.	Max.	Units
Frequency Range	DC		2.5	GHz
Input Return Loss (DC - 2.5 GHz)	20			dB
Output Return Loss (DC - 2.5 GHz)	20			dB
Attenuation (DC - 2.5 GHz)		0	.2	dB
Input Power			100	Watts
Flange Temperature			100 150 (0% Power)	°C

Barry Industries reserves the right to change part number and or process without notification.

Barry Industries, Inc., 60 Walton St., Attleboro, MA 02703 T: 508-226-3350 F: 508-226-3317 E-mail: sales@barryind.com

Barry maintains an ISO 9001 Certified Quality Management System

Origination Date	Revision Date	Rev.
10/02/13	10/02/13	-