

BeO

30 dB

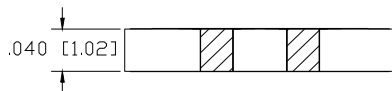
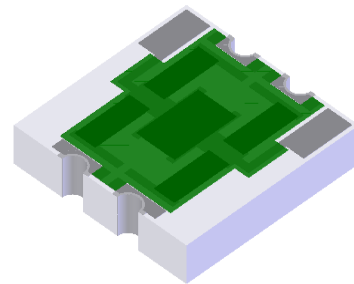
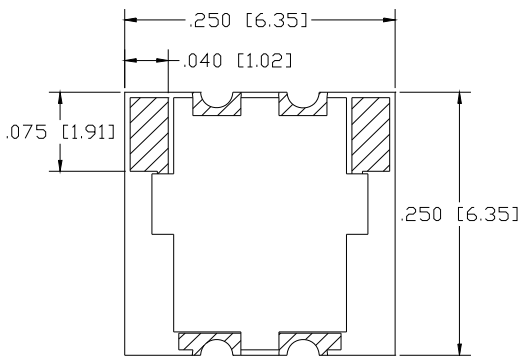
CHIP ATTENUATOR

Features:

- ◆ BeO Material
- ◆ DC to 500 MHz
- ◆ 40 Watt Input Power
- ◆ Input and Output pads offset from center

General Description:

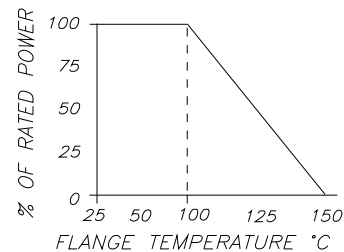
The AVC2525CT-3000JN-99 is a BeO, 30 dB chip attenuator with an input power rating of 40 watts. This chip is solder mountable and has input/output pads offset from the center line of chip to facilitate assembly in circuits requiring this configuration. It offers a frequency range from DC to 500 MHz.



Dimensions in inches [mm]
Tolerance $\pm .005$ [.127]
unless otherwise stated

UNIT CAN BE MOUNTED
IN EITHER DIRECTION

DERATING CURVE:



Parameter	Min.	Typ.	Max	Units
Frequency Range	DC		500	MHz
Attenuation Flatness	29	30	31	dB
Input Return Loss	32			dB
Output Return Loss	32			dB
Input Power			40	Watts
Mounting Surface Temperature			100	°C

Barry Industries reserves the right to change part number and or process without notification.

Barry Industries, Inc., 60 Walton St., Attleboro, MA 02703 T: 508-226-3350 F: 508-226-3317 E-mail: sales@barryind.com

Barry Industries maintains an ISO 9001 Certified Quality Management System

Origination Date	Revision Date	Rev.
02/18/09	02/18/09	-