



WWW.BARRYIND.COM

AVC2525CT-0300JN-83-01



BeO FREE™

3 dB

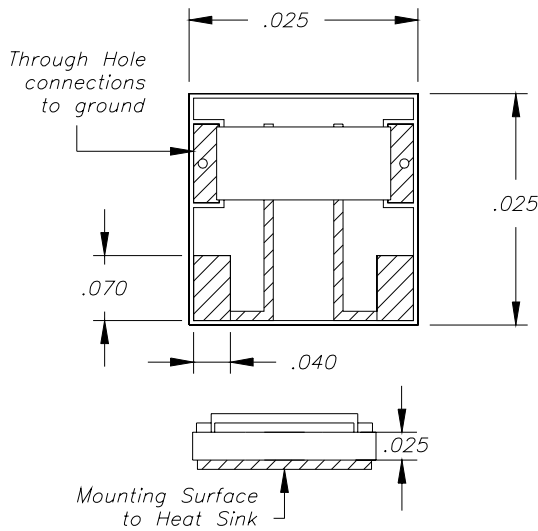
ATTENUATOR

Features:

- ◆ BeO FREE™
- ◆ DC to 2 GHz
- ◆ 30 Watt Input Power
- ◆ Input and Output pads offset from center
- ◆ CT - Matte Tin over Nickel over Silver

General Description:

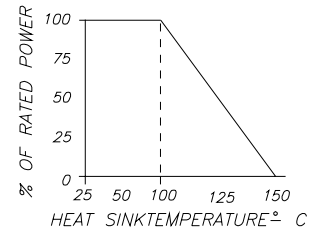
The AVC2525CT-0300JN-83-01 is a BeO FREE™ chip attenuator with a frequency range up to 2 GHz. It has a input power of 30 Watts while maintaining a mounting surface temperature of 100°C and is solder mountable. This chip offers an input and output pad offset from center line of chip to allow for assembly on off center devices.



**This chip can be used with either pad being Input or Output.



DERATING CURVE:



Dimensions in inches
Tolerance ± .010

Parameter	Min.	Typ.	Max	Units
Frequency Range	DC		2	GHz
Attenuation	2	3	4	dB
Input Return Loss	18			dB
Output Return Loss	18			dB
Input Power			30	Watts
Mounting Surface Temperature			100	°C

* Barry Industries reserves the right to change part number and or process without notification

Barry Industries, Inc., 60 Walton St., Attleboro, MA 02703 T: 508-226-3350 F: 508-226-3317 E-mail: sales@barryind.com

Barry Industries maintains an ISO 9001 Certified Quality Management System

Origination Date	Revision Date	Rev.
01/05/05	06/08/07	A