



WWW.BARRYIND.COM

# AVC2525CB-0400JN-99

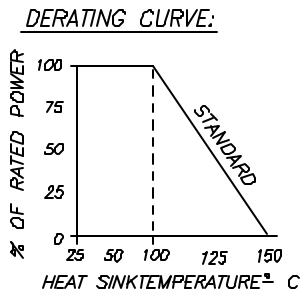
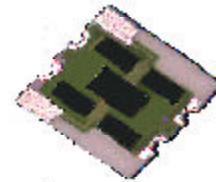
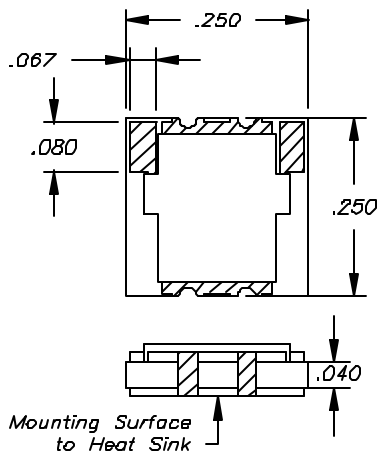
BeO4 dBATTENUATOR

**Features:**

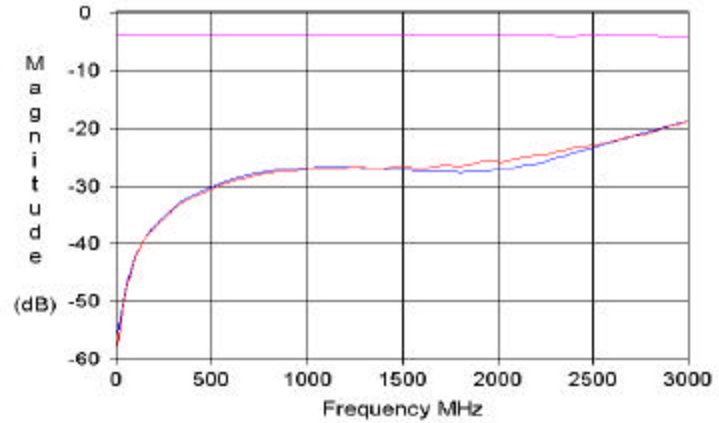
- ◆ BeO material
- ◆ DC to 3 GHz
- ◆ 40 Watt Power Rating
- ◆ Input and Output pads offset from center

**General Description:**

The AVC2525CB-0400JN-99 is a BeO 4 dB single slope attenuator with a frequency range up to 3 GHz. It has a power rating of 40 Watts while maintaining a heat sink temperature of 100°C and is solder mountable. This chip offers an input and output pad offset from center line of chip to allow for assembly on off center devices.



DB[S11]    ○  
 DB[S21]    ○  
 DB[S22]    ○



| Parameter             | Min. | Typ. | Max | Units |
|-----------------------|------|------|-----|-------|
| Frequency Range       | DC   |      | 3   | GHz   |
| Attenuation Flatness  |      | ±.5  |     | dB    |
| Input Return Loss     | 17   |      |     | dB    |
| Output Return Loss    | 17   |      |     | dB    |
| Power Dissipation     |      |      | 40  | Watts |
| Heat Sink Temperature |      |      | 100 | °C    |

| DATE    | REV. |
|---------|------|
| 9/17/04 | -    |