

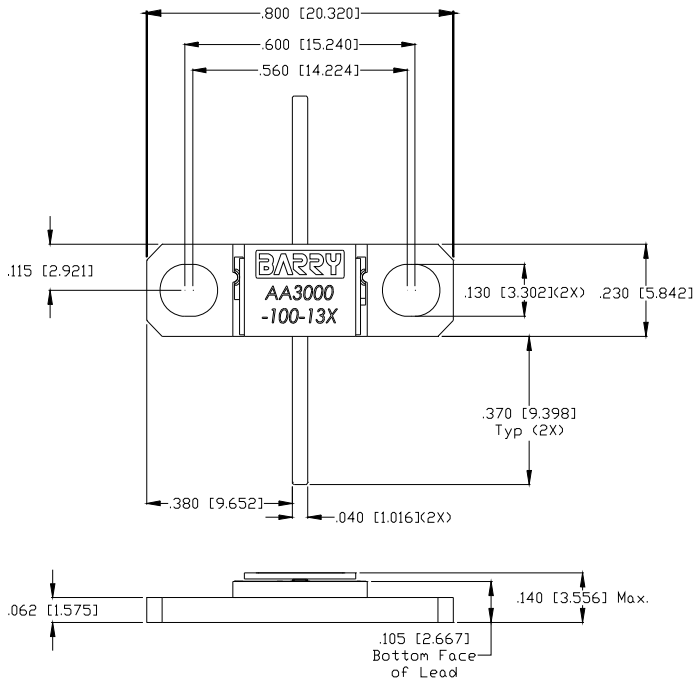
Aluminum Nitride 30 dB FLANGED ATTENUATOR

Features:

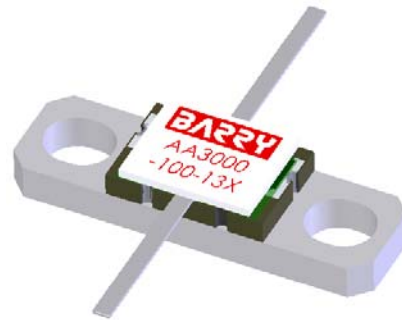
- ◆ Aluminum Nitride Material
- ◆ DC - 2.5 GHz Performance
- ◆ 100 Watt Input Power
- ◆ Flange Mount

General Description:

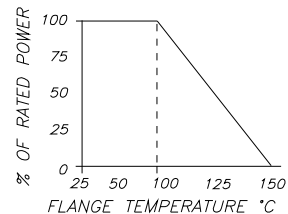
The AA3000-100-13X is a flanged 30 dB, Aluminum Nitride attenuator. It has an input power of 100 watts, while maintaining a constant flange temperature of 100°C. It offers a frequency range from DC to 2.5 GHz.



Dimensions in inches [mm]
Tolerance $\pm .010$ [.254]
unless otherwise stated



DERATING CURVE:



Parameter	Min.	Typ.	Max.	Units
Frequency Range	DC		2.5	GHz
Attenuation	29	30	31	dB
Input Return Loss	18			dB
Output Return Loss	22			dB
Input Power			100	Watts
Flange Temperature			100 150 (0% Power)	°C

Barry Industries reserves the right to change part number and or process without notification.

Barry Industries, Inc., 60 Walton St., Attleboro, MA 02703 T: 508-226-3350 F: 508-226-3317 E-mail: sales@barryind.com
Barry Industries maintains an ISO 9001 Certified Quality Management System

Origination Date	Revision Date	Rev.
05/10/12	05/10/12	-