



WWW.BARRYIND.COM

# AA1000-100-12X



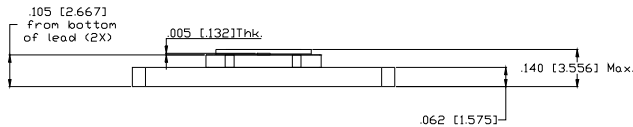
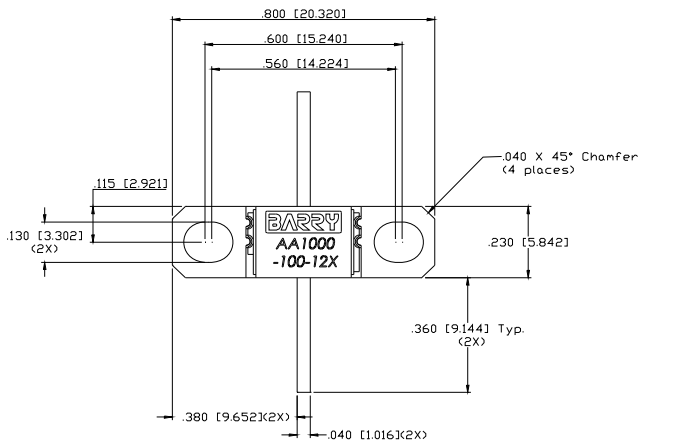
## Aluminum Nitride 10 dB FLANGED ATTENUATOR

### Features:

- ◆ Aluminum Nitride Material
- ◆ DC - 2.5 GHz Performance
- ◆ 100 Watt Input Power
- ◆ Flange Mount

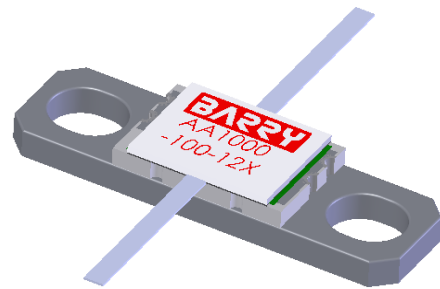
### General Description:

The AA1000-100-12X is a flanged 10 dB, Aluminum Nitride attenuator. It has an input power rating of 100 watts, while maintaining a constant flange temperature of 100°C. It offers a frequency range from DC to 2.5 GHz.

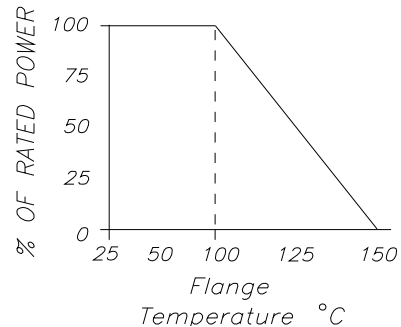


Dimensions in inches [mm]  
Tolerance  $\pm .010$  [.254]  
unless otherwise stated

Unit can be mounted  
in either direction



### DERATING CURVE:



Parameter	Min.	Typ.	Max.	Units
Frequency Range	DC		2.5	GHz
Attenuation	9	10	11	dB
Input Return Loss	18			dB
Output Return Loss	18			dB
Input Power			100	Watts
Flange Temperature			100	°C

Barry Industries reserves the right to change part number and or process without notification.

Barry Industries, Inc., 60 Walton St., Attleboro, MA 02703 T: 508-226-3350 F: 508-226-3317 E-mail: sales@barryind.com

Barry Industries maintains an ISO 9001 Certified Quality Management System

Origination Date	Revision Date	Rev.
03/03/08	01/13/11	C