



WWW.BARRYIND.COM

A0300-40-3X



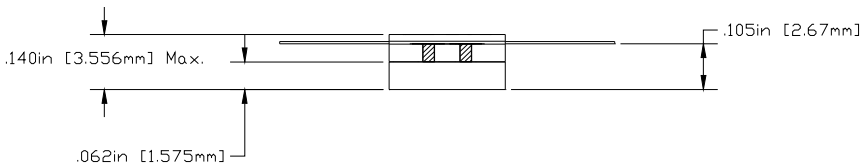
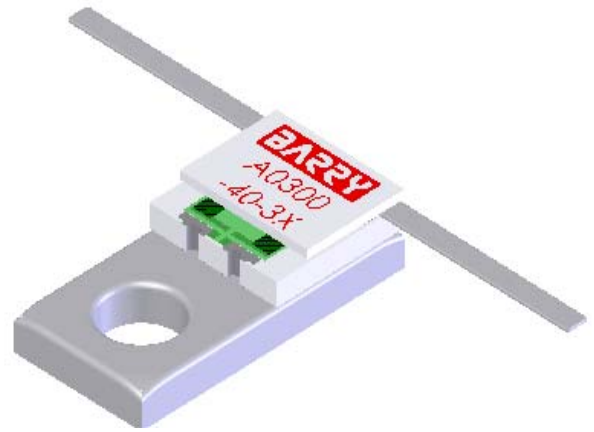
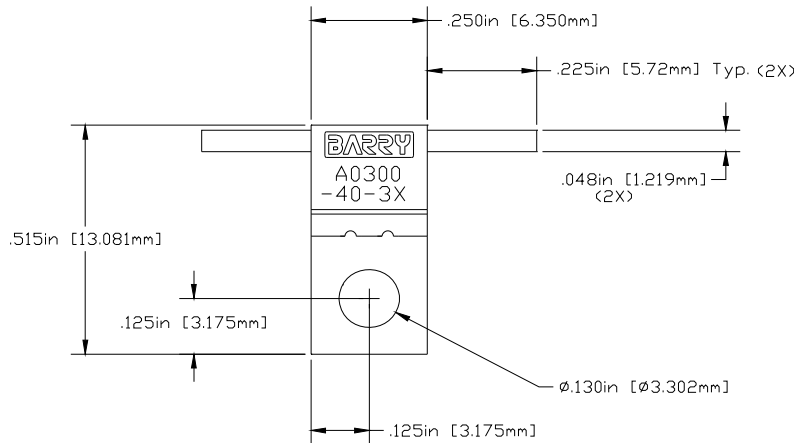
BeO 3 dB FLANGED ATTENUATOR

Features:

- ◆ BeO Material
- ◆ DC - 4 GHz Performance
- ◆ 40 Watt Input Power
- ◆ Flange Mount

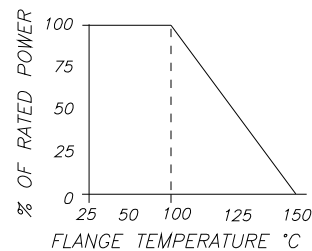
General Description:

The A0300-40-3X is a 3 dB BeO flanged attenuator. It has an input power of 40 watts, while maintaining a flange temperature of 100°C. It offers a frequency range from DC to 4 GHz.



Dimensions in inches [mm]
Tolerance $\pm .010$ [.254]
unless otherwise stated
UNIT CAN BE MOUNTED IN EITHER DIRECTION

DERATING CURVE:



Parameter	Min.	Typ.	Max.	Units
Frequency Range	DC		4	GHz
Input Return Loss	17			dB
Output Return Loss	17			dB
Input Power			40	Watts
Flange Temperature			100	°C
Attenuation DC - 3.0 GHz	2.5	3	3.5	dB
3.0 - 4.0 GHz	2	3	4	

Barry Industries reserves the right to change part number and or process without notification.

Barry Industries, Inc., 60 Walton St., Attleboro, MA 02703 T: 508-226-3350 F: 508-226-3317 E-mail: sales@barryind.com

Barry Industries maintains an ISO 9001 Certified Quality Management System

Origination Date	Revision Date	Rev.
10/13/08	10/22/08	C