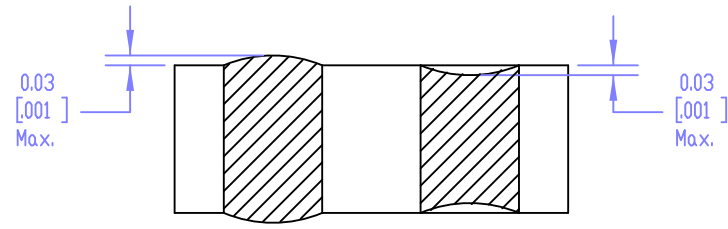
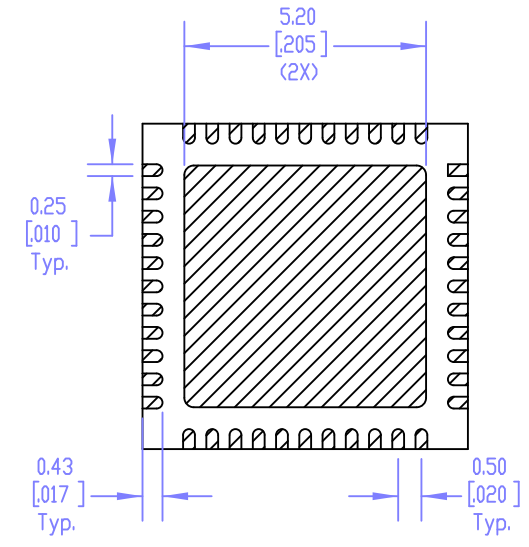
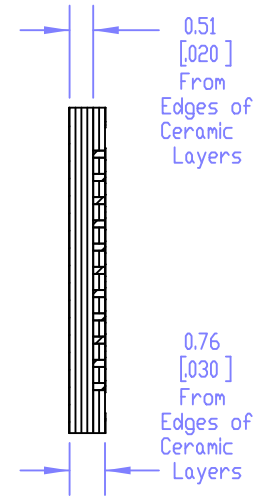
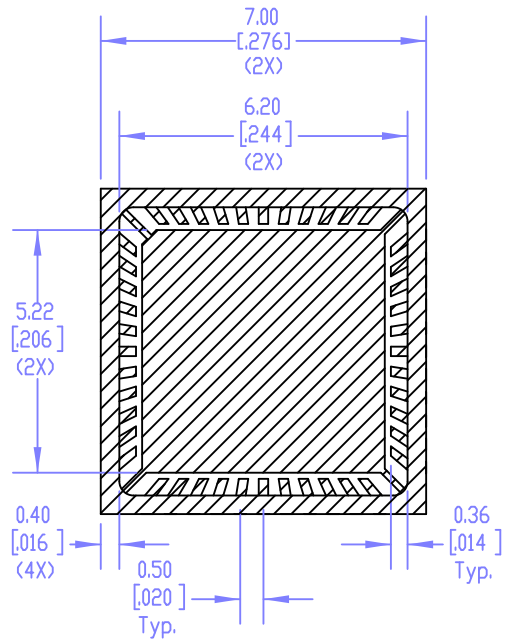
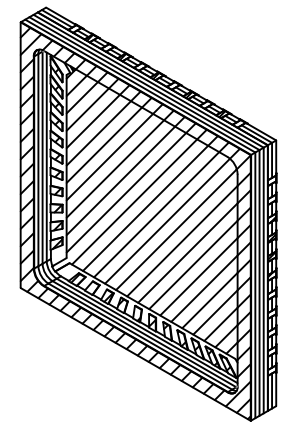



| | | | | | |
|-----------|-------|----------|------|-------------|-----|
| Revisions | ECO # | Approved | Date | Description | Rev |
| | | | | | |
| | | | | | |
| | | | | | |



Via Planarity (not to scale)



| | | | | | | |
|------------------|--------------------|---|-------------------------|---|--|---------|
| Drawn R. HUOT | Date JAN 3 2017 | UNLESS OTHERWISE SPECIFIED: DIMENSIONS ARE IN MILLIMETERS. | |  60 WALTON ST. ATTLEBORO, MA. 02703 (508) 226-3350 www.barryind.com | Title 7mm - 44 Pin QFN - Grounded Seal Ring w/ Castellations | |
| Engineering | Date | TOLERANCES ON DECIMALS | ON ANGLES | | Drawing No. QFN-7744-0722 | |
| Q.A. | Date | .X ± 25 | ± .5° | | Revision B | |
| Manufacturing | Date | .XX ± .10 | | | Material AlN | Used On |
| Released | Date | .XXX ± .050 | | Finish | | Qty. |
| | | .XXX ± .050 | CODE IDENT NO. 6P825 | | Scale 6:1 | |
| | | .XXXX ± .0100 | | Drawing Size A | | |