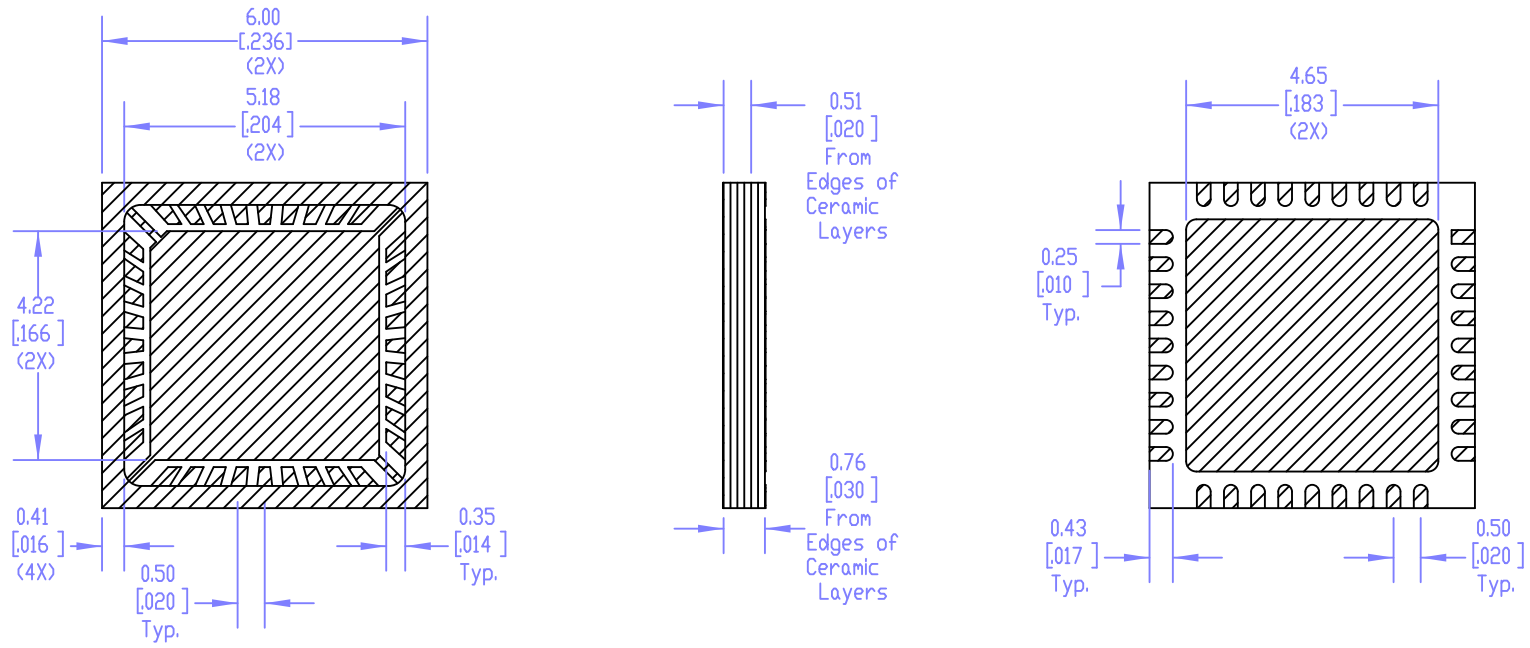
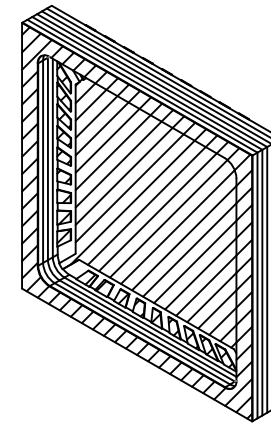



Revisions	ECO #	
	Approved	
	Date	
	Description	
Rev		



Via Planarity (not to scale)



Drawn R. HUOT	Date JAN 4 2017	UNLESS OTHERWISE SPECIFIED: DIMENSIONS ARE IN MILLIMETERS.		 60 WALTON ST. ATTLEBORO, MA. 02703 (508) 226-3350 www.barryind.com	Title 6mm - 36 Pin QFN - Grounded Seal Ring			
Engineering	Date	TOLERANCES ON DECIMALS	ON ANGLES		Drawing No. QFN-6636-0721	Revision B		
Q.A.	Date	.X ± .25	± .5°					
Manufacturing	Date	.XX ± .10						
		.XXX ± .050						
Released	Date	.XXXX ± .0100	Material AlN	CODE IDENT NO. 6P825	Scale 7:1	Used On	Qty.	
		Finish			Drawing Size A			Sheet 1 of 1