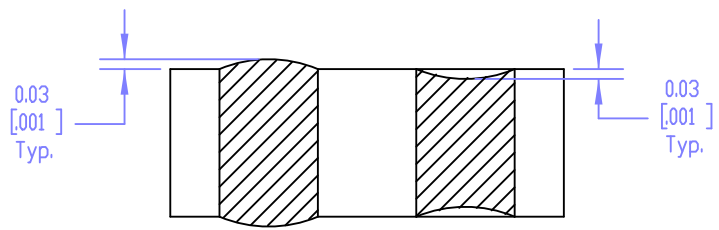
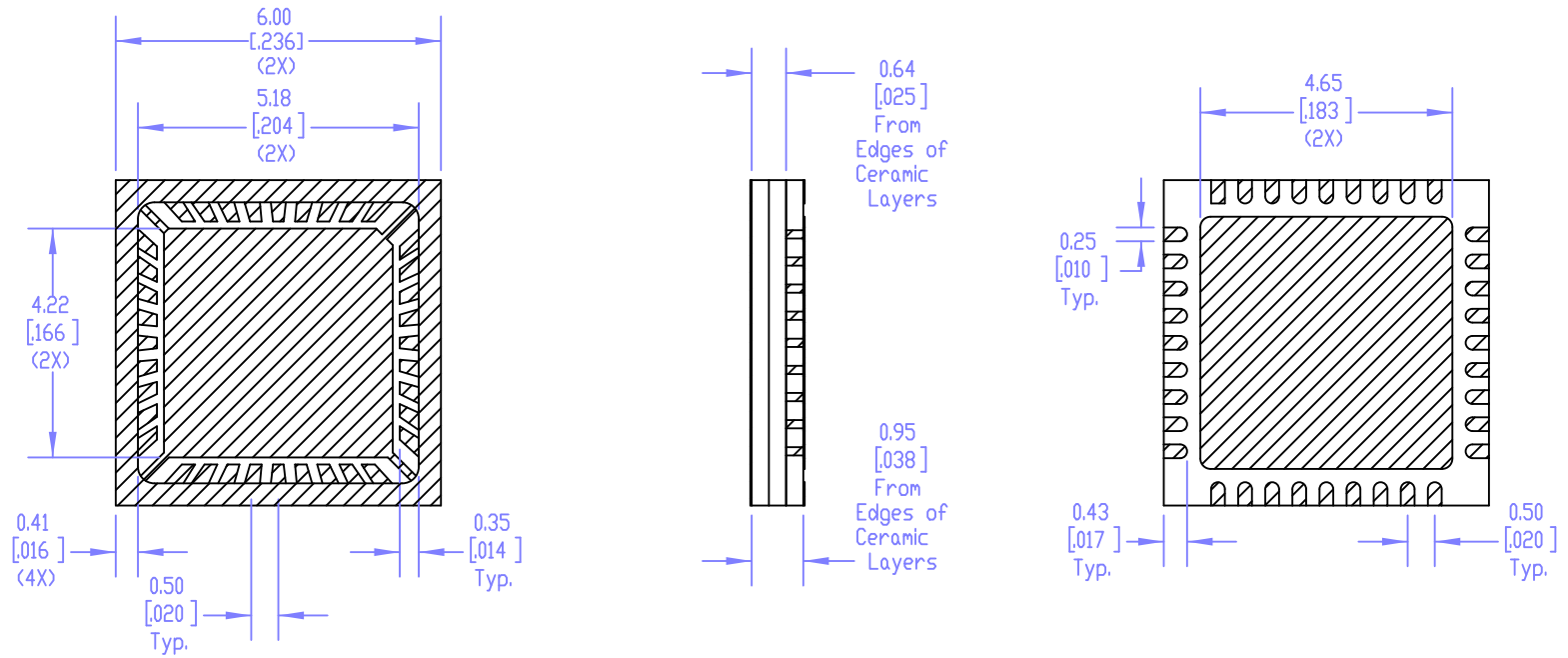
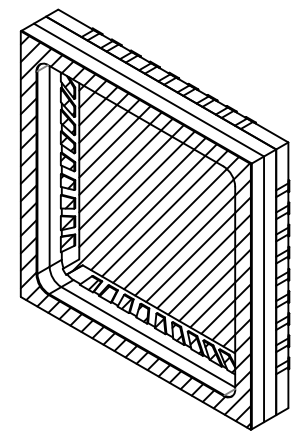



Revisions	ECO #	
	Approved	
	Date	
	Description	
Rev		



Via Planarity (not to scale)



Drawn R. HUOT	Date NOV 9 2016	UNLESS OTHERWISE SPECIFIED: DIMENSIONS ARE IN MILLIMETERS.		 60 WALTON ST. ATTLEBORO, MA. 02703 (508) 226-3350 www.barryind.com	Title 6mm - 36 Pin QFN - Grounded Seal Ring w/ Castellations	
Engineering	Date	TOLERANCES ON DECIMALS	ON ANGLES		Drawing No.	Revision
Q.A.	Date	.X ± .25	± .5°		QFN-6636-0522	B
Manufacturing	Date	.XX ± .10			Material Alumina	Used On
Released	Date	.XXX ± .050		Finish		
		.XXX ± .050	CODE IDENT NO. 6P825	Scale 7:1		Sheet 1 of 1
		.XXXX ± .0100		Drawing Size A		