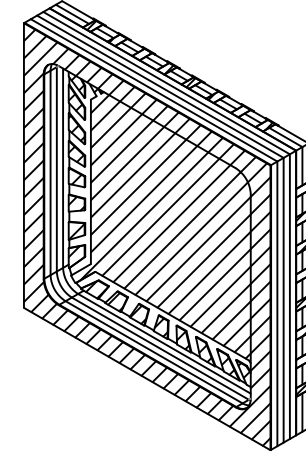
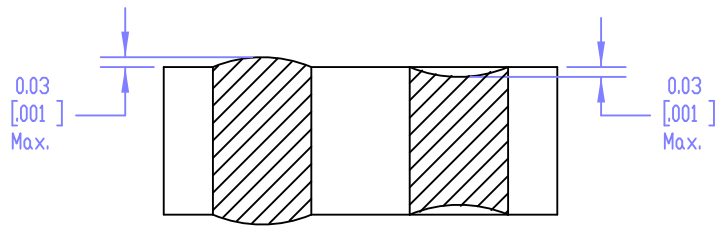
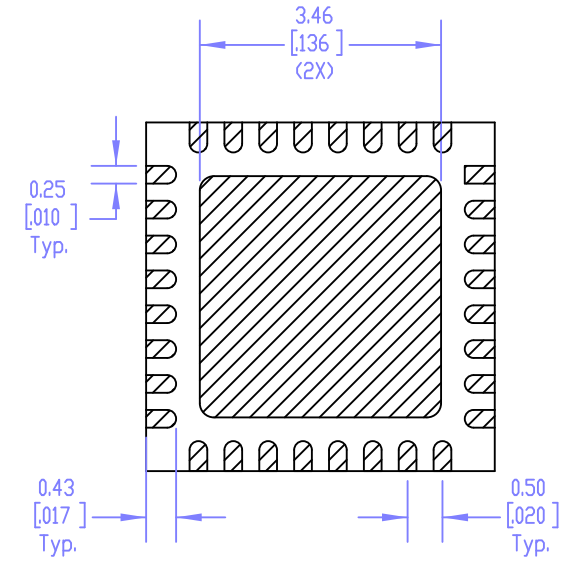
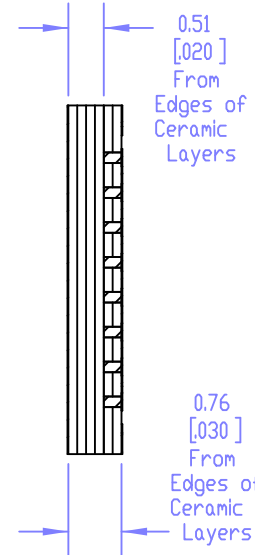
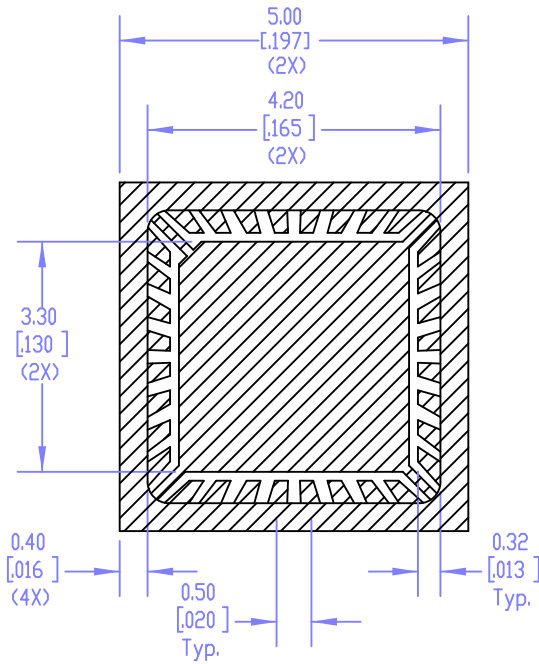


Revisions	ECO #	
	Approved	
	Date	
	Description	
Rev		



Drawn	Date
R. HUOT	JAN 4 2017
Engineering	Date
Q.A.	Date
Manufacturing	Date
Released	Date

UNLESS OTHERWISE SPECIFIED: DIMENSIONS ARE IN MILLIMETERS.	
TOLERANCES ON DECIMALS	ON ANGLES
.X ± .25	± .5°
.XX ± .10	
.XXX ± .050	
.XXXX ± .0100	
Material	CODE IDENT NO.
AIN	6P825
Finish	

BARRY
 60 WALTON ST.
 ATTLEBORO, MA. 02703
 (508) 226-3350
 www.barryind.com

Scale 9:1
 Drawing Size A

Title		Revision	
5mm - 32 Pin QFN - Grounded Seal Ring w/ Castellations		B	
Drawing No. QFN-5532-0722		Used On	Qty.
			Sheet 1 of 1