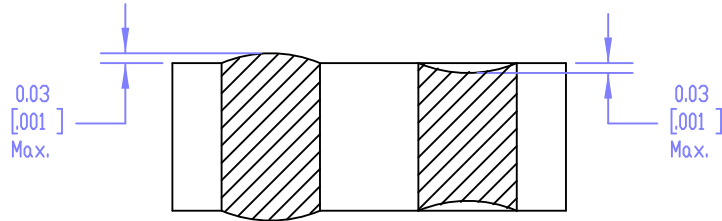
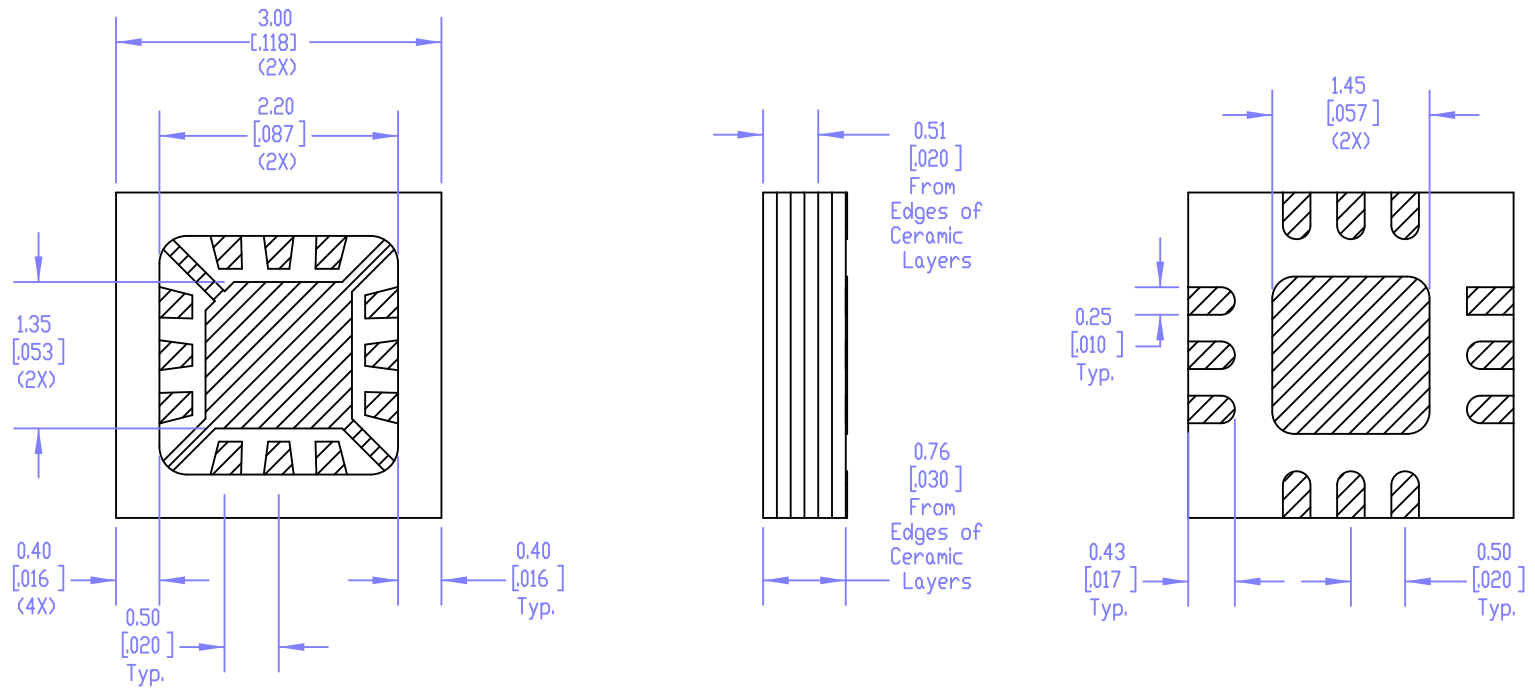
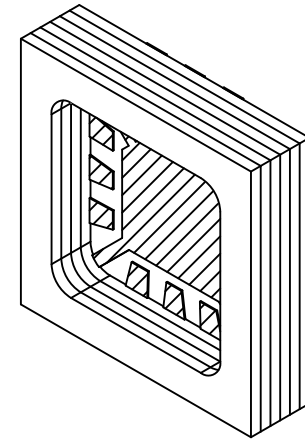


|           |             |  |
|-----------|-------------|--|
| Revisions | ECD #       |  |
|           | Approved    |  |
|           | Date        |  |
|           | Description |  |
| Rev       |             |  |



Via Planarity (not to scale)



|                  |                    |   |                         |   |  |               |
|------------------|--------------------|---|-------------------------|---|--|---------------|
| Drawn<br>R. HUOT | Date<br>JAN 5 2017 | UNLESS OTHERWISE SPECIFIED:<br>DIMENSIONS ARE IN MILLIMETERS. |                         | <b>BARRY</b><br>60 WALTON ST.<br>ATTLEBORO, MA. 02703<br>(508) 226-3350<br>www.barryind.com | Title<br>3mm - 12 Pin QFN - Bare Seal Ring |               |
| Engineering      | Date               | TOLERANCES ON DECIMALS  | ON ANGLES               |   | Drawing No.<br>QFN-3312-0720               | Revision<br>B |
| Q.A.             | Date               | .X ± .25  | ± .5°                   |   |  |               |
| Manufacturing    | Date               | .XX ± .10   |                         |   |  |               |
|                  |                    | .XXX ± .050   |                         |   |  |               |
| Released         | Date               | .XXX ± .050   | Material<br>AlN         | Scale 14:1  | Used On                                    | Qty.          |
|                  |                    | .XXXX ± .0100   | Finish                  | Drawing Size A  |  |               |
|                  |                    |   | CODE IDENT NO.<br>6P825 |   |  | Sheet 1 of 1  |