



WWW.BARRYIND.COM

D08Z-50R0J83-03C36-X



BeO FREE™

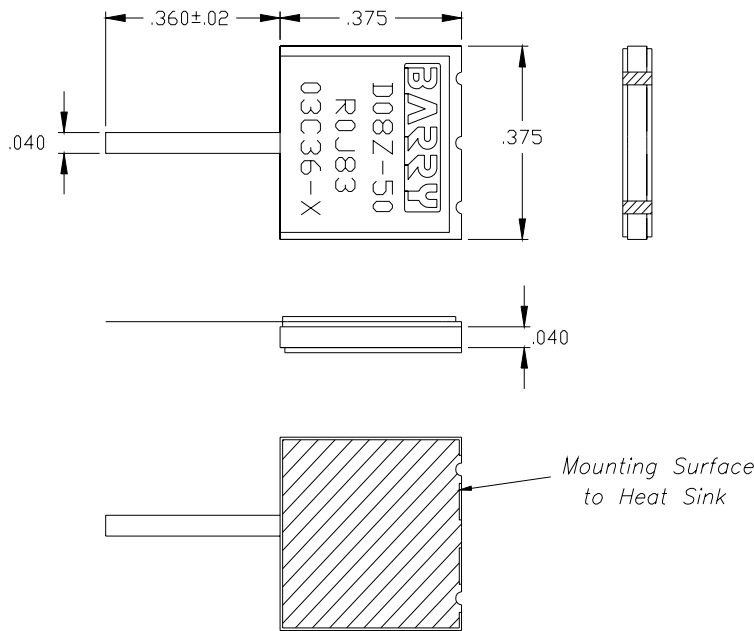
LEADED TERMINATION

Features:

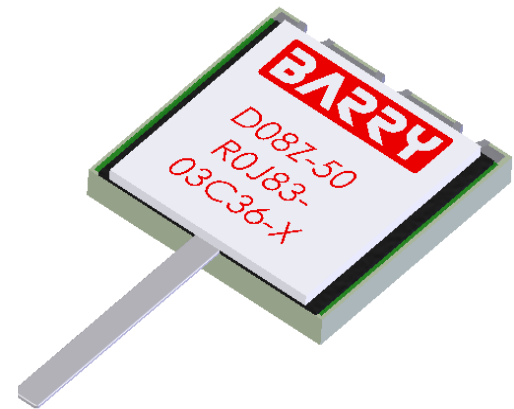
- ◆ BeO FREE™ Material
- ◆ DC - 2 GHz Performance
- ◆ 100 Watt Input Power
- ◆ Solder Mountable

General Description:

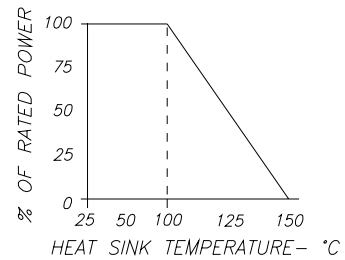
The D08Z-50R0J83-03C36-X is a leaded 50 ohm, BeO FREE™ termination. It has an input power of 100 watts max, while maintaining a constant mounting surface temperature of 100°C. It offers a frequency range from DC to 2 GHz.



Dimensions in inches
Tolerance ± .010
unless otherwise stated



DERATING CURVE:



Parameter	Min.	Typ.	Max.	Units
Frequency Range	DC		2	GHz
Input Return Loss	20			dB
Input Power			100	Watts
Resistance	47.5	50	52.5	Ohms
Mounting Surface Temperature			100	°C

Barry Industries reserves the right to change part number and or process without notification.

Barry Industries, Inc., 60 Walton St., Attleboro, MA 02703 T: 508-226-3350 F: 508-226-3317 E-mail: sales@barryind.com

Barry Industries maintains an ISO 9001 Certified Quality Management System

Origination Date	Revision Date	Rev.
02/19/08	02/19/08	-