



WWW.BARRYIND.COM

# TA50R0-60-2X



## ALUMINUM NITRIDE

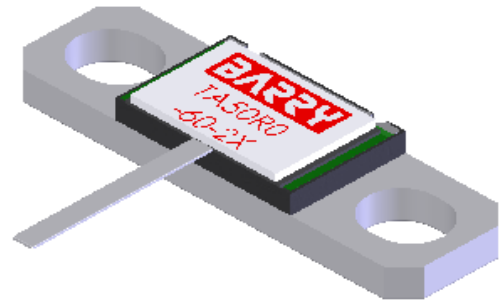
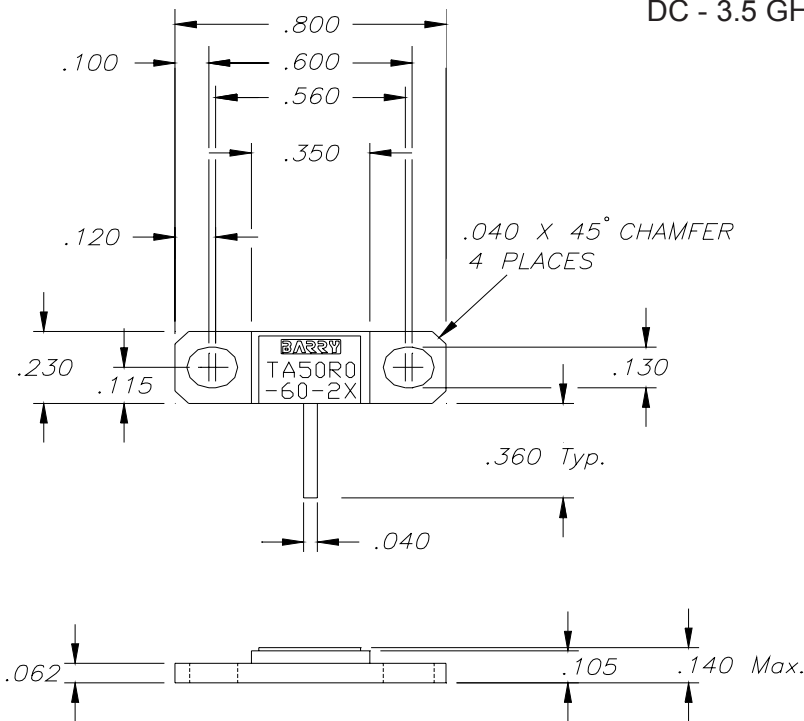
## FLANGED TERMINATION

### Features:

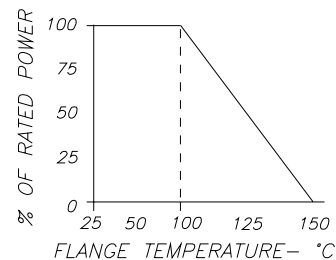
- ◆ Aluminum Nitride Material
- ◆ DC- 3.5 GHz Performance
- ◆ 60 Watt Input Power
- ◆ Flange Mount

### General Description:

The TA50R0-60-2X is a flanged 50 ohm, Aluminum Nitride termination. It has an input power of 60 watts max, while maintaining a constant flange temperature of 100°C. It offers a frequency range from DC - 3.5 GHz.



DERATING CURVE:



Parameter	Min.	Typ.	Max.	Units
Frequency Range	DC		3.5	GHz
Input Return Loss	26			dB
Input Power			60	Watts
Resistance	47.5	50.0	52.5	Ohms
Flange Temperature			100	°C

Barry Industries reserves the right to change part number and or process without notification

Barry Industries, Inc., 60 Walton St., Attleboro, MA 02703 T: 508-226-3350 F: 508-226-3317 E-mail: sales@barryind.com

Barry Industries maintains an ISO 9001 Certified Quality Management System

Origination Date	Revision Date	Rev.
02/01/08	02/01/08	-