

## ALUMINUM NITRIDE

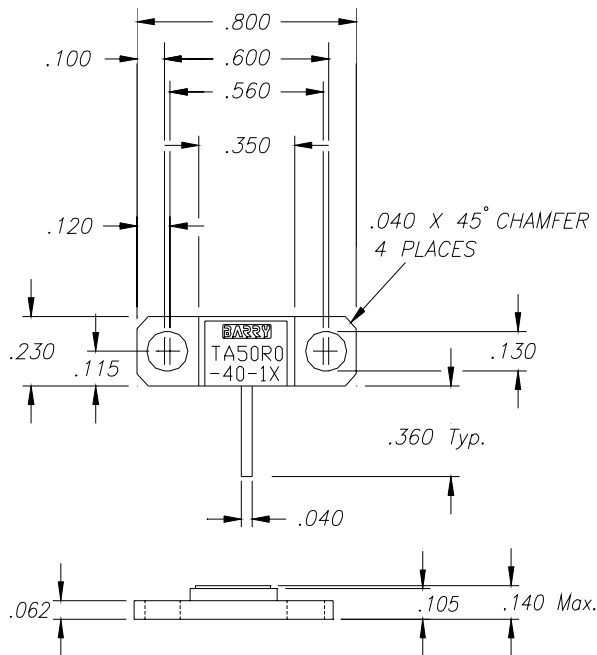
## FLANGED TERMINATION

### Features:

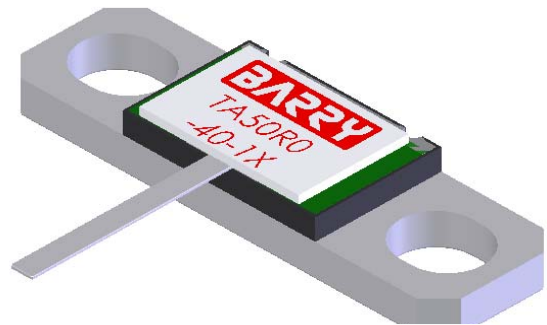
- ◆ Aluminum Nitride Material
- ◆ DC to 2.5 GHz Performance
- ◆ 40 Watt Input Power
- ◆ Flange Mount

### General Description:

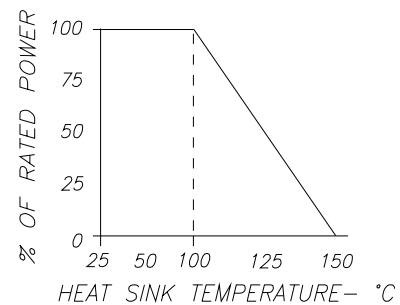
The TA50R0-40-1X is a flanged, 50 ohm Aluminum Nitride termination. It has an input power of 40 watts, while maintaining a constant flange temperature of 100°C. It offers a frequency range from DC to 2.5 GHz.



Dimensions in inches  
Tolerance  $\pm .010$   
unless otherwise stated



DERATING CURVE:



Parameter	Min.	Typ.	Max.	Units
Frequency Range	DC		2.5	GHz
Input Return Loss	20			dB
Input Power			40	Watts
Resistance	47.5	50	52.5	Ohms
Flange Temperature			100	°C

Barry Industries reserves the right to change part number and or process without notification.

Barry Industries, Inc., 60 Walton St., Attleboro, MA 02703 T: 508-226-3350 F: 508-226-3317 E-mail: sales@barryind.com  
Barry Industries maintains an ISO 9001 Certified Quality Management System

Origination Date	Revision Date	Rev.
10/05/04	04/18/08	B