



WWW.BARRYIND.COM

T50R0-60-3X



BeO

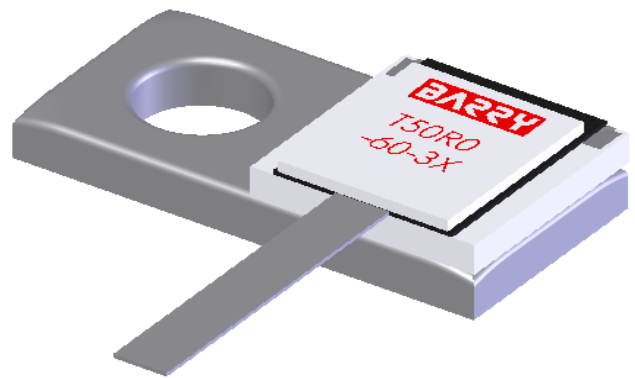
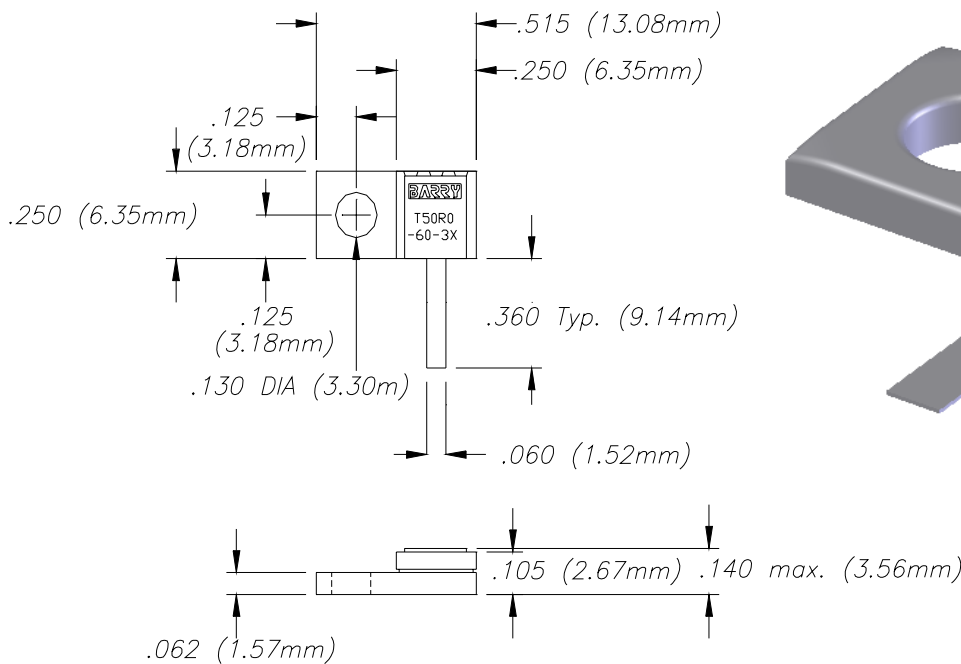
FLANGED TERMINATION

Features:

- ◆ BeO Material
- ◆ DC - 6 GHz Performance
- ◆ 60 Watt Input Power
- ◆ Flange Mount

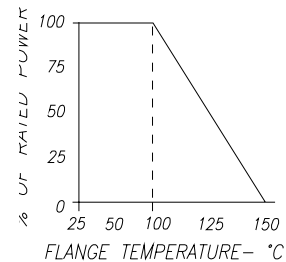
General Description:

The T50R0-60-3X is a flanged 50 ohm BeO termination. It has an input power of 60 watts, while maintaining a constant flange temperature of 100°C. It offers an excellent frequency range from DC to 6 GHz.



Dimensions in inches (mm)
Tolerance ± .010 (.254)
unless otherwise stated

DERATING CURVE:



Parameter	Min.	Typ.	Max.	Units
Frequency Range	DC		6	GHz
Input Return Loss	17			dB
Input Power			60	Watts
Resistance	47.5	50.0	52.5	Ohms
Flange Temperature			100	°C

Barry Industries reserves the right to change part number and or process without notification

Barry Industries, Inc., 60 Walton St., Attleboro, MA 02703 T: 508-226-3350 F: 508-226-3317 E-mail: sales@barryind.com

Barry Industries maintains an ISO 9001 Certified Quality Management System

Origination Date	Revision Date	Rev.
04/09/04	01/28/08	B