



WWW.BARRYIND.COM

T50R0-40-1X



BeO

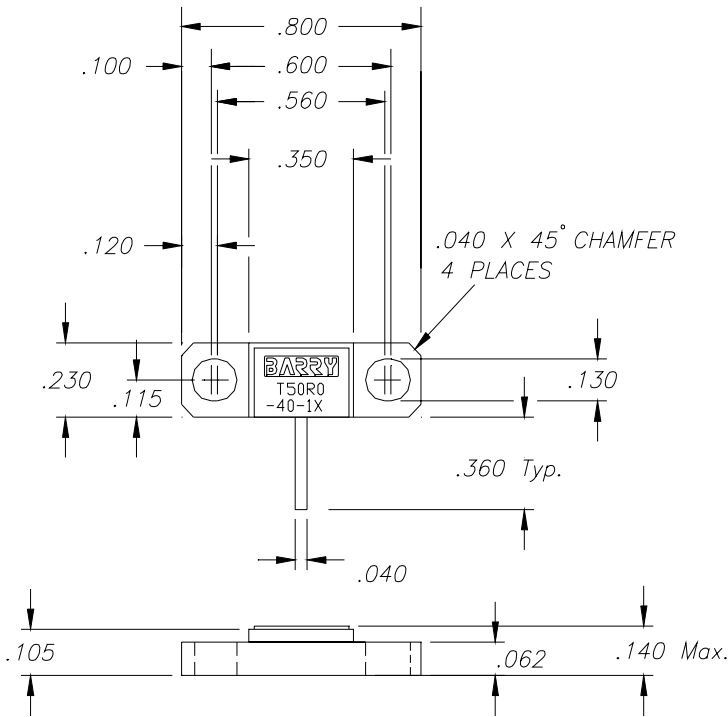
FLANGED TERMINATION

Features:

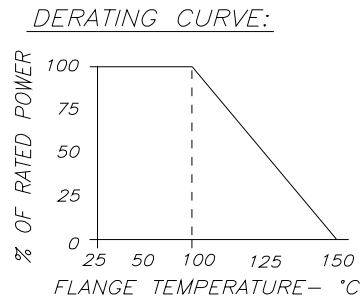
- ◆ BeO Material
- ◆ DC - 2.0 GHz Performance
- ◆ 40 Watt Input Power
- ◆ Flange Mount

General Description:

The T50R0-40-1X is a 50 ohm flanged BeO termination. It has an input power of 40 watts, while maintaining a constant flange temperature of 100°C. It offers a frequency from DC - 2.0 GHz.



Dimensions in inches
Tolerance $\pm .010$
unless otherwise specified



Parameter	Min.	Typ.	Max.	Units
Frequency Range	DC		2.0	GHz
Input Return Loss	20			dB
Input Power			40	Watts
Resistance	47.5	50	52.5	Ohms
Flange Temperature			100	°C

Barry Industries reserves the right to change part number and or process without notification

Barry Industries, Inc., 60 Walton St., Attleboro, MA 02703 T: 508-226-3350 F: 508-226-3317 E-mail: sales@barryind.com

Barry is ISO 9001:2000 Certified by

Origination Date	Revision Date	Rev.
01/28/08	01/28/08	-