

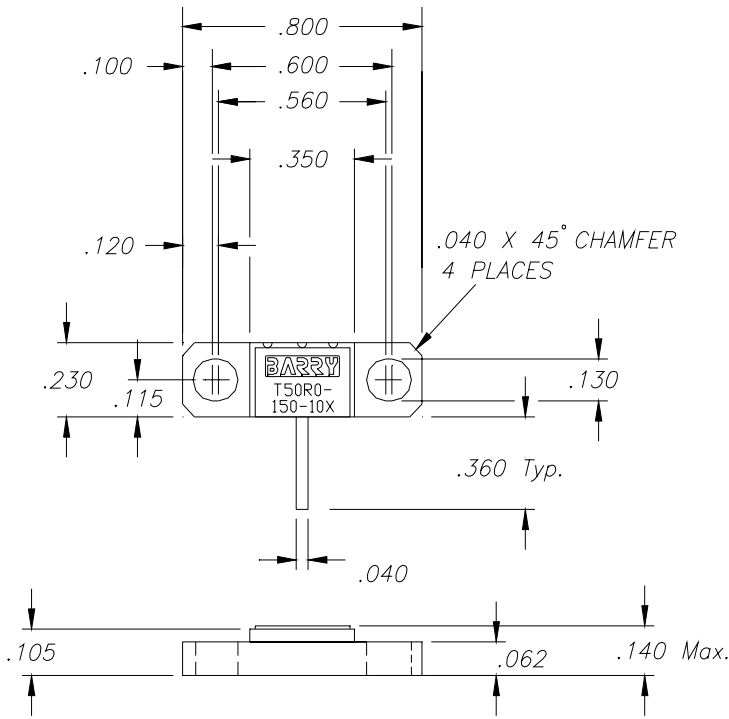
BeO FLANGED TERMINATION

Features:

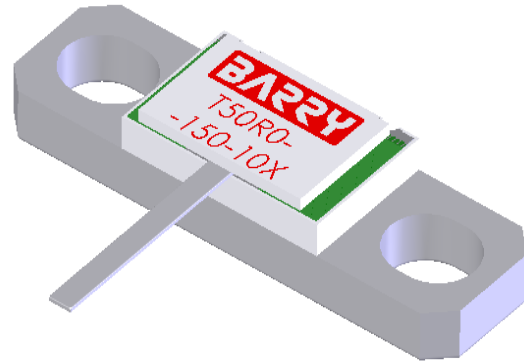
- ◆ BeO Material
- ◆ DC- 2.5 GHz Performance
- ◆ 150 Watt Input Power
- ◆ Flange Mount

General Description:

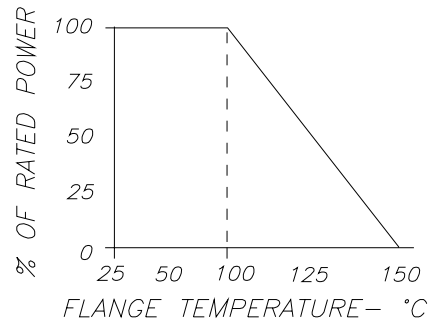
The T50R0-150-10X is a flanged 50 ohm, BeO termination. It has an input power of 150 watts max, while maintaining a constant flange temperature of 100°C. It offers a frequency range from DC to 2.5 GHz.



Dimensions in inches
Tolerance ± .010
unless otherwise specified



DERATING CURVE:



Parameter	Min.	Typ.	Max.	Units
Frequency Range	DC		2.5	GHz
Input Return Loss	DC-2 GHz 2-2.5 GHz	20 18		dB
Input Power			150	Watts
Flange Temperature			100	°C

Barry Industries reserves the right to change part number and or process without notification.

Barry Industries, Inc., 60 Walton St., Attleboro, MA 02703 T: 508-226-3350 F: 508-226-3317 E-mail: sales@barryind.com

Barry is ISO 9001:2000 Certified by



Origination Date	Revision Date	Rev.
04/01/08	04/01/08	-