



WWW.BARRYIND.COM

T50R0-150-10E



BeO

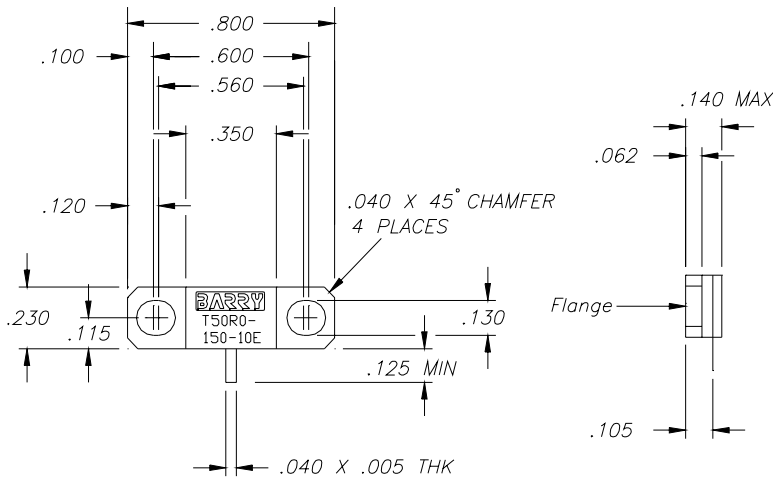
FLANGED TERMINATION

Features:

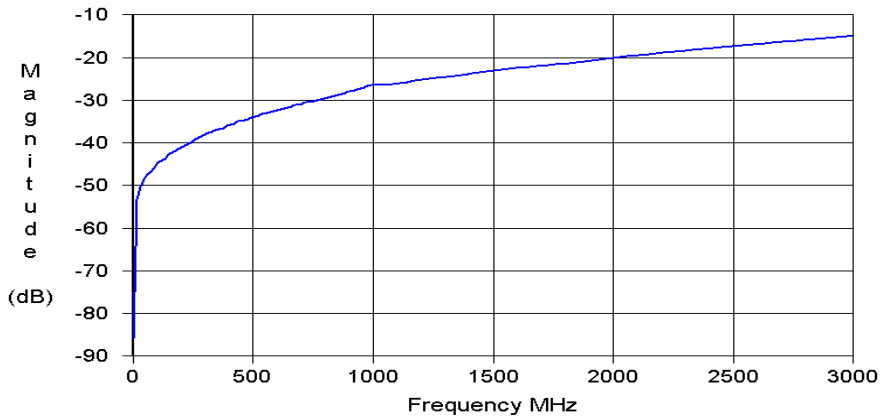
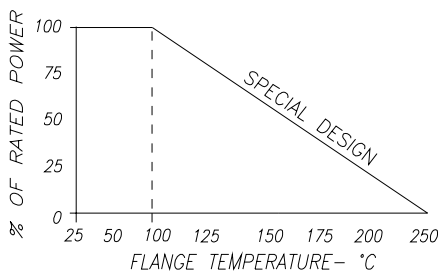
- ◆ BeO
- ◆ DC- 2.5 GHz performance
- ◆ 150 Watt power handling
- ◆ Brazed construction

General Description:

The T50R0-150-10E is a flange mounted termination capable of dissipating 150 Watts while maintaining a flange temperature of 100°C with a frequency from DC-2.5 GHz. Its brazed construction ensures that the assembly stays intact during installation.



DERATING CURVE:



Parameter	Min.	Typ.	Max.	Units
Frequency Range	DC		2.5	GHz
Input Return Loss	DC-2 GHz 2-2.5 GHz	20 18		dB
Power Dissipation			150	Watts
Flange Temperature			100	°C

* Barry Industries reserves the right to change part number and or process without notification

Barry Industries, Inc., 60 Walton St., Attleboro, MA 02703 T: 508-226-3350 F: 508-226-3317 E-mail: sales@barryind.com

Barry Industries maintains an ISO 9001 Certified Quality Management System

Origination Date	Revision Date	Rev.
05/17/06	05/17/06	-