



TVC3737CT-50R0JN-83-03



WWW.BARRYIND.COM

BeO FREE™

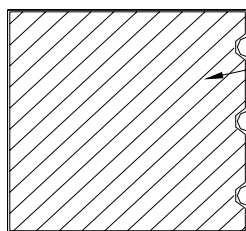
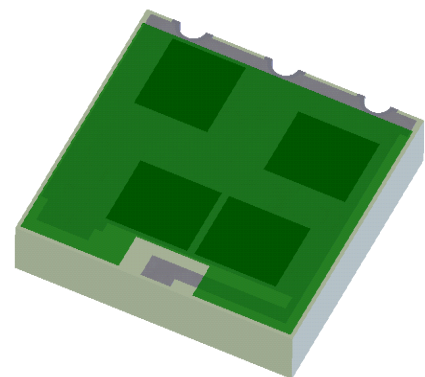
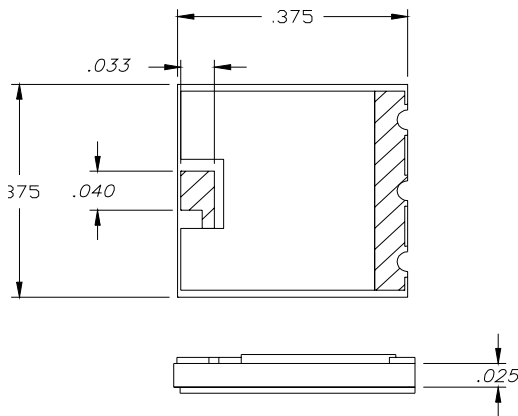
CHIP TERMINATION

Features:

- ◆ BeO FREE™ Material
- ◆ DC- 2 GHz Performance
- ◆ 100 Watts Input Power
- ◆ CT - Matte Tin over Nickel over Silver

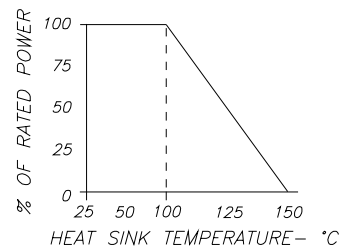
General Description:

The TVC3737CT-50R0JN-83-03 is a 50 Ohm solder mountable BeO FREE™ chip termination. It has an input power of 100 watts, while maintaining a constant 100°C mounting surface temperature. It offers a frequency range from DC to 2 GHz.



Mounting surface to Heat Sink

DERATING CURVE:



Dimensions in inches
Tolerance ± .010
unless otherwise stated

Parameter	Min.	Typ.	Max.	Units
Frequency Range	DC		2	GHz
Input Return Loss	20			dB
Resistance	47.5	50.0	52.5	Ohms
Input Power			100	Watts
Mounting Surface Temperature			100	°C

Barry Industries reserves the right to change part number and or process without notification

Barry Industries, Inc., 60 Walton St., Attleboro, MA 02703 T: 508-226-3350 F: 508-226-3317 E-mail: sales@barryind.com

Barry Industries maintains an ISO 9001 Certified Quality Management System

Origination Date	Revision Date	Rev.
07/11/03	01/14/08	D