



WWW.BARRYIND.COM

TVC2525CT-50R0JN-83-03



BeO FREE™

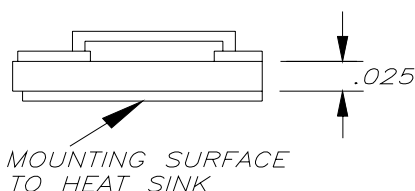
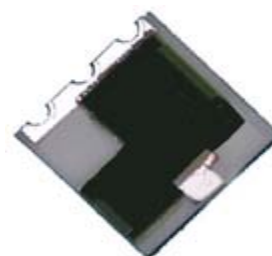
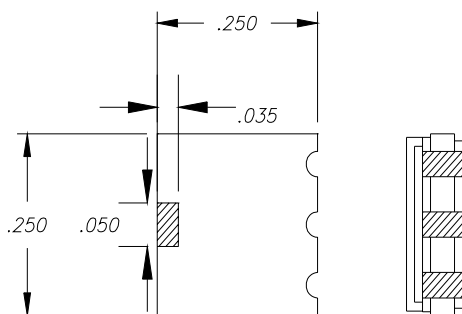
TERMINATION

Features:

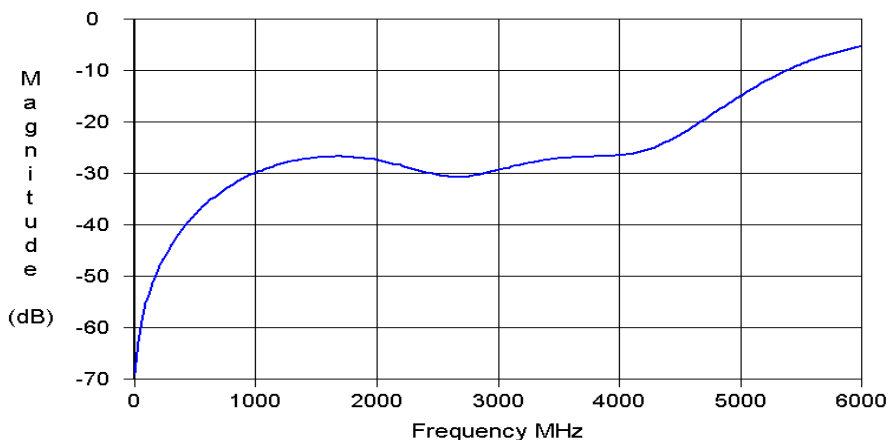
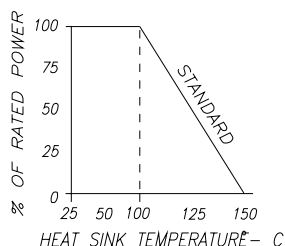
- ◆ BeO FREE™
- ◆ 50 Watt Power Rating
- ◆ Solder Mount

General Description:

The TVC2525CT-50R0JN-83-03 is a BeO FREE™ termination. It offers a frequency range up to 5 GHz with a power rating of 50 Watts.



DERATING CURVE:



Parameter	Min.	typ.	Max.	Units
Frequency Range	DC 4.0		4.0 5.0	GHZ GHZ
Return Loss	20 16			dB dB
Power Dissipation			50	WATTS
Heat Sink Temperature			100	°C

Barry Industries reserves the right to change part number and or process without notification.

Barry Industries, Inc., 60 Walton St., Attleboro, MA 02703 T: 508-226-3350 F: 508-226-3317 E-mail: sales@barryind.com

Barry Industries maintains an ISO 9001 Certified Quality Management System

Date	Rev.
11/03/03	A