



WWW.BARRYIND.COM

TVC2525CT-50R0JN-83-02



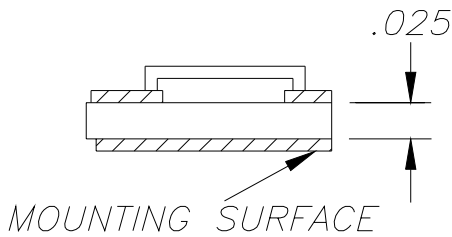
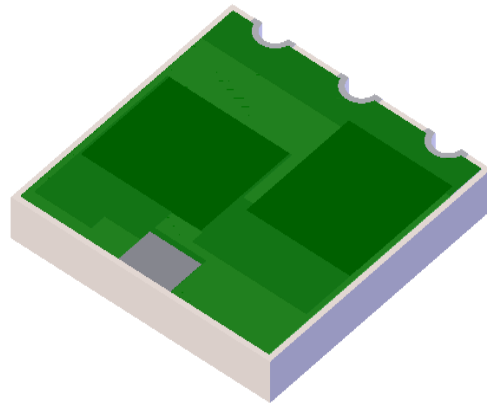
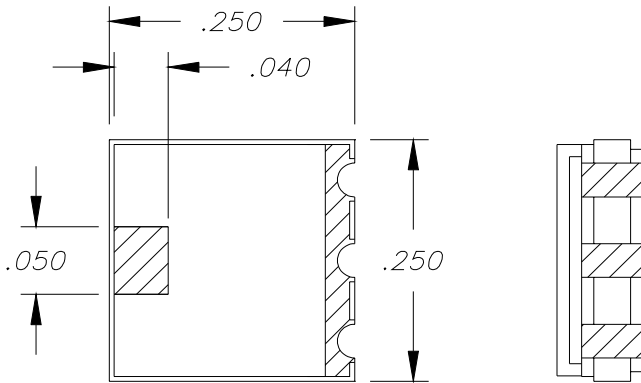
BeO Free CHIP TERMINATION

Features:

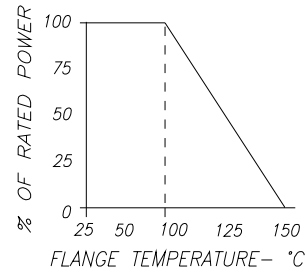
- ◆ BeO FREE Material
- ◆ DC - 2.5 GHz Performance
- ◆ 30 Watt Input Power
- ◆ CT = Matte Tin over Nickel over Silver
- ◆ Solder Mountable

General Description:

The TVC2525CT-50R0JN-83-02 is a 50 ohm, BeO FREE chip termination. It has an input power of 30 watts, while maintaining a constant mounting surface temperature of 100°C. It offers a frequency range from DC to 2.5 GHz.



DERATING CURVE:



Dimensions in inches
Tolerance ±.010
unless otherwise stated

Parameter	Min.	Typ.	Max.	Units
Frequency Range	DC		2.5	GHz
Input Return Loss	23			dB
Input Power			30	Watts
Resistance	47.5	50	52.5	Ohms
Mounting Surface Temperature			100	°C

Barry Industries reserves the right to change part number and or process without notification.

Barry Industries, Inc., 60 Walton St., Attleboro, MA 02703 T: 508-226-3350 F: 508-226-3317 E-mail: sales@barryind.com
Barry Industries maintains an ISO 9001 Certified Quality Management System

Origination Date	Revision Date	Rev.
04/02/08	04/02/08	-