



WWW.BARRYIND.COM

# TVC2335CT-XXXXJN-83-07



## BeO FREE™

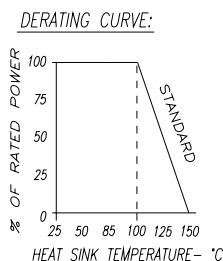
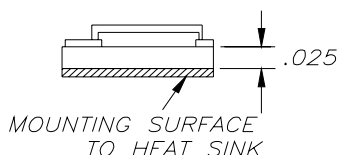
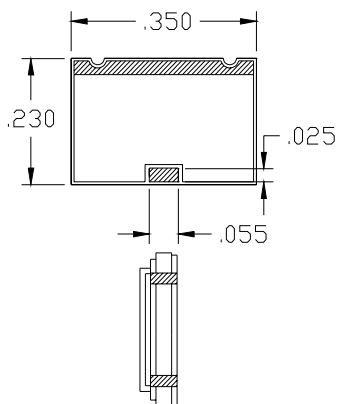
## TERMINATION

### Features:

- ◆ BeO FREE™
- ◆ DC- 2.0 GHz performance
- ◆ 50 Watt power handling
- ◆ Solder mount
- ◆ CT - Matte Tin over Nickel over Silver

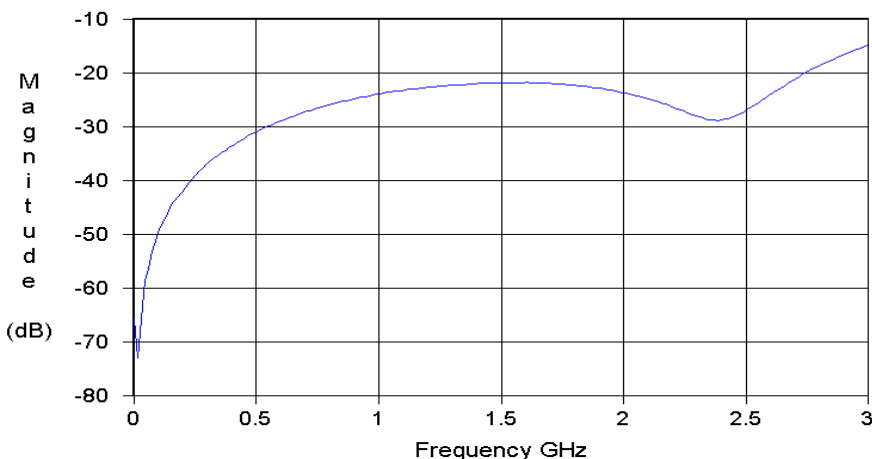
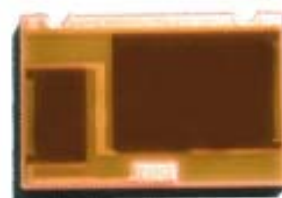
### General Description:

The TVC2335CT-XXXX\*JN-83-07 is a BeO FREE™ solder mountable termination capable of dissipating 50 Watts while maintaining a heat sink temperature of 100°C with a frequency range from DC- 2GHz.



\*XXXX = Value is Ohms

- 10...10R0
- 50...50R0
- 100..1000
- 150..1500
- 1K....1001



Parameter	Min.	Typ.	Max.	Units
Frequency Range	DC		2	GHz
Power Dissipation			50	Watts
Input Return Loss	20			dB
Heat Sink Temperature			100	°C

\* Barry Industries reserves the right to change part number and or process without notification

Barry Industries, Inc., 60 Walton St., Attleboro, MA 02703 T: 508-226-3350 F: 508-226-3317 E-mail: sales@barryind.com

Barry Industries maintains an ISO 9001 Certified Quality Management System

Date	Rev.
7/11/03	A