

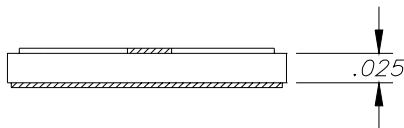
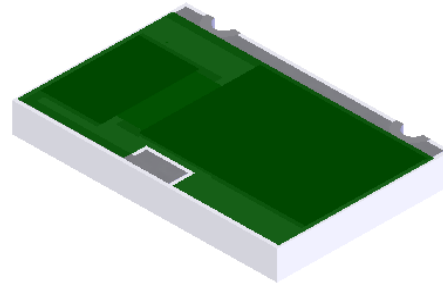
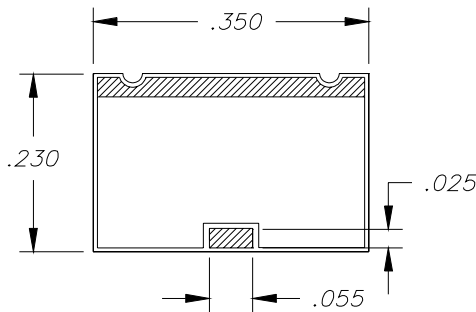
ALUMINA (99.5%) CHIP TERMINATION

Features:

- ◆ Alumina (99.5%)Material
- ◆ DC - 2.2 GHz Performance
- ◆ 100 Watt Input Power
- ◆ Solder Mountable
- ◆ CB =Tin Lead over Nickel over Silver

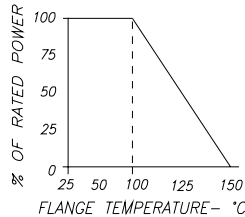
General Description:

The TVC2335CB-XXXX*JN-73-07 is a solder mountable chip termination. It has an input power of 100 watts, while maintaining a constant mounting surface temperature of 100°C. It offers a frequency range from DC -2.2 GHz.



Dimensions in inches
Tolerance ± .010
unless otherwise stated

DERATING CURVE:



*XXXX = Value is Ohms

- 10....10R0
- 50....50R0
- 100..1000
- 150..1500
- 1K....1001

Parameter	Min.	Typ.	Max.	Units
Frequency Range	DC		2.2	GHz
Resistance		+/- 5%		Ohms
Input Power			100	Watts
Input Return Loss	26			dB
Mounting Surface Temperature			100	°C

Barry Industries reserves the right to change part number and or process without notification.

Barry Industries, Inc., 60 Walton St., Attleboro, MA 02703 T: 508-226-3350 F: 508-226-3317 E-mail: sales@barryind.com

Barry Industries maintains an ISO 9001 Certified Quality Management System

Origination Date	Revision Date	Rev.
07/11/03	06/30/08	A