



WWW.BARRYIND.COM

TVC1907CT-XXXXJN-83-01



BeO FREE™

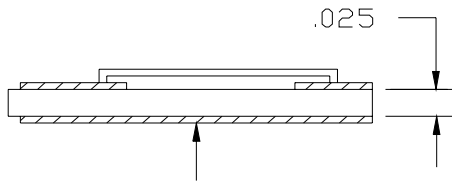
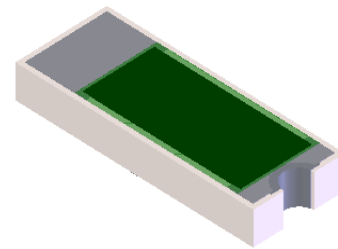
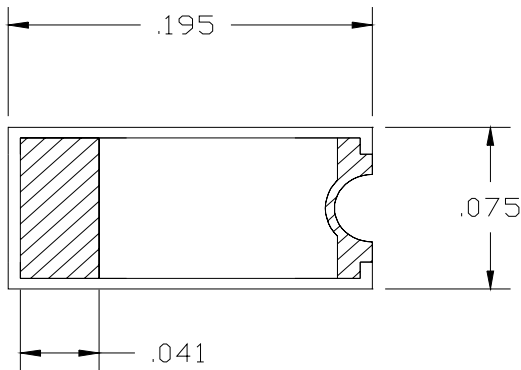
CHIP TERMINATION

Features:

- ◆ BeO FREE™ Material
- ◆ DC - 2 GHz Performance
- ◆ 12 Watt Input Power
- ◆ Solder Mountable
- ◆ CT - Matte Tin over Nickel over Silver

General Description:

The TVC1907CT-XXXX*JN-83-01 is a solder mountable BeO FREE™ chip termination. It has an input power of 12 watts, while maintaining a mounting surface temperature of 100°C. It offers a frequency range from DC - 2 GHz.



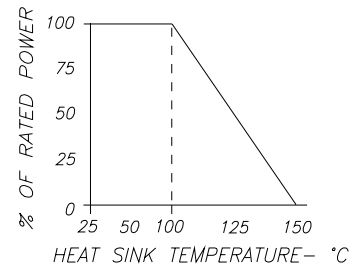
Mounting Surface to Heat Sink

Dimensions in inches
Tolerance ± .010
unless otherwise stated

*XXXX = Resistance Value in Ohms

- 0.5 R500
- 1 1R00
- 10 10R0
- 50 50R0
- 100 1000
- 150 1500
- 1K 1001
- 10K 1002
- 100K 1003
- 470K 4703
- 1M 1004

DERATING CURVE:



Parameter	Min.	Typ.	Max.	Units
Frequency Range	DC		2	GHz
Input Return Loss	20			dB
Input Power			12	Watts
Heat Sink Temperature			100	°C

Barry Industries reserves the right to change part number and or process without notification

Barry Industries, Inc., 60 Walton St., Attleboro, MA 02703 T: 508-226-3350 F: 508-226-3317 E-mail: sales@barryind.com

Barry Industries maintains an ISO 9001 Certified Quality Management System

Origination Date	Revision Date	Rev.
10/23/03	02/12/08	C