



TVC1835CT-50R0JN-83

WWW.BARRYIND.COM

BeO FREE

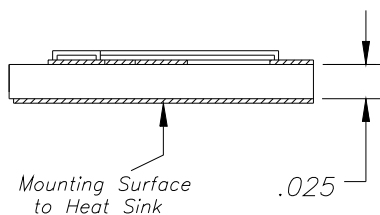
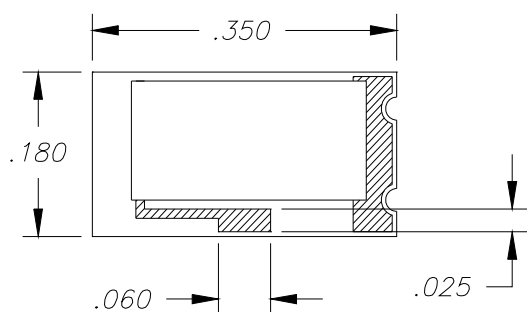
CHIP TERMINATION

Features:

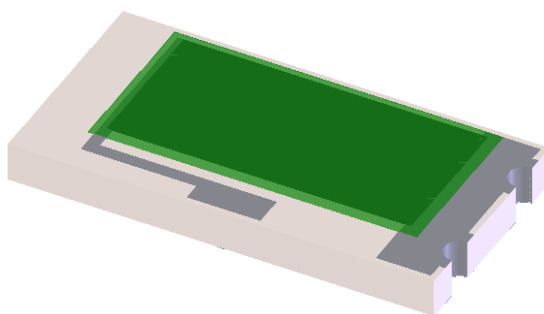
- ◆ BeO FREE Material
- ◆ DC - 1 GHz Performance
- ◆ 70 Watt Input Power
- ◆ CT = Matte Tin over Nickel over Silver
- ◆ Solder Mountable

General Description:

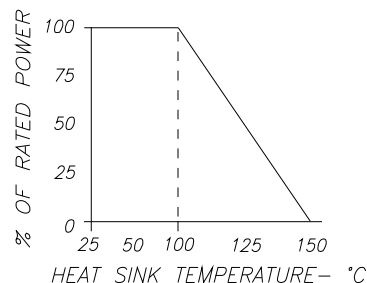
The TVC1835CT-50R0JN-83 is a 50 Ohm solder mountable BeO FREE chip termination. It has an input power of 70 watts, while maintaining a constant mounting surface temperature of 100°C. It offers a frequency range from DC to 1 GHz.



Dimensions in inches
Tolerance $\pm .010$
unless otherwise stated



DERATING CURVE:



Parameter	Min.	Typ.	Max.	Units
Frequency Range	DC		1	GHz
Input Return Loss	20			dB
Input Power			70	Watts
Resistance	47.5	50	52.5	Ohms
Mounting Surface Temperature			100	°C

Barry Industries reserves the right to change part number and or process without notification.

Barry Industries, Inc., 60 Walton St., Attleboro, MA 02703 T: 508-226-3350 F: 508-226-3317 E-mail: sales@barryind.com

Barry Industries maintains an ISO 9001 Certified Quality Management System

Origination Date	Revision Date	Rev.
04/06/04	08/06/08	B