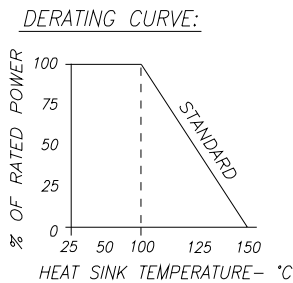
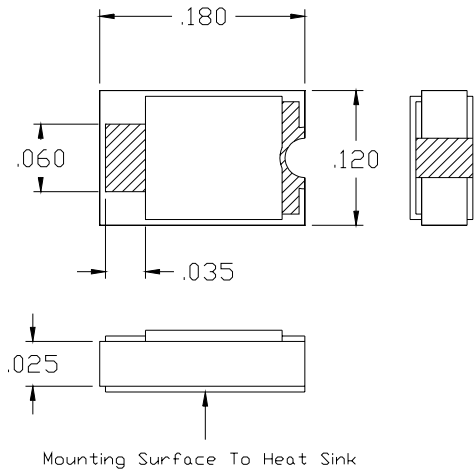


BeO FREE™

Termination

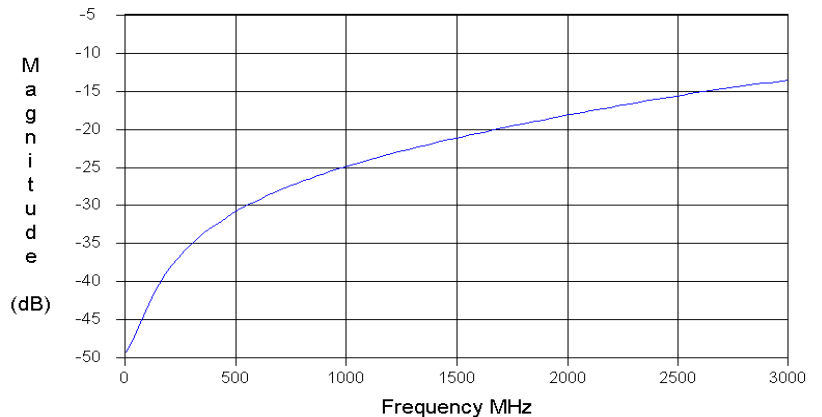
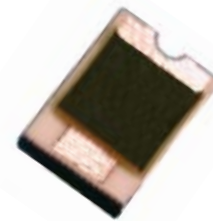
Features:

- ◆ BeO FREE™
- ◆ 20 Watt power handling
- ◆ Solder mountable
- ◆ DC- 2GHz
- ◆ CT - Matte Tin over Nickel over Silver



General Description:

The TVC1812CT-50R0JN-83 is a 50 Ohm standard (.1 - 150 GigOhm available) BeO FREE™ termination capable of dissipating 20 Watts max while maintaining a heat sink temperature of 100°C. It has an operating frequency from DC- 2 GHz and is solder mountable.



Parameter	Min.	Typ.	Max.	Units
Frequency Range	DC		2	GHz
Input Return Loss	17			dB
Power Dissipation			20	Watts
Heat Sink Temperature			100	°C

* Barry Industries reserves the right to change part number and or process without notification