



WWW.BARRYIND.COM

# TVC1206CT-50R0JN-83



## BeO FREE

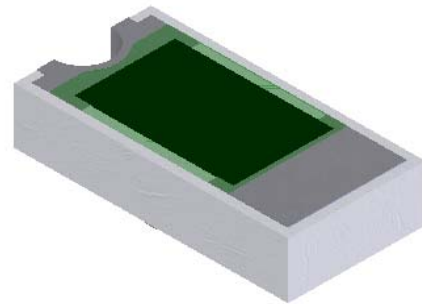
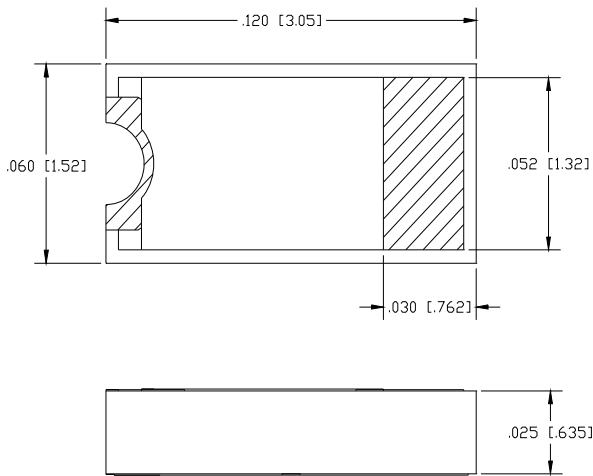
## CHIP TERMINATION

### Features:

- ◆ BeO FREE
- ◆ DC - 4 GHz Performance
- ◆ 5 Watt Input Power
- ◆ Solder Mountable

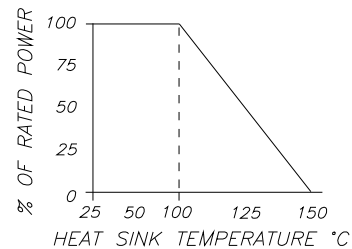
### General Description:

The TVC1206CT-50R0JN-83 is a 50 ohm, BeO FREE chip termination. It has an input power rating of 5 watts, while maintaining a constant mounting surface temperature of 100°C. It offers a frequency range from DC to 4 GHz.



Dimensions in inches [mm]  
Tolerance  $\pm .005$  [.127]  
unless otherwise stated

DERATING CURVE:



Parameter	Min.	Typ.	Max.	Units
Frequency Range	DC		4	GHz
Input Return Loss	20			dB
Input Power			5	Watts
Mounting Surface Temperature			100	°C

Barry Industries reserves the right to change part number and or process without notification.

Barry Industries, Inc., 60 Walton St., Attleboro, MA 02703 T: 508-226-3350 F: 508-226-3317 E-mail: sales@barryind.com

Barry Industries maintains an ISO 9001 Certified Quality Management System

Origination Date	Revision Date	Rev.
02/14/05	02/23/09	B