

BeO FREE™

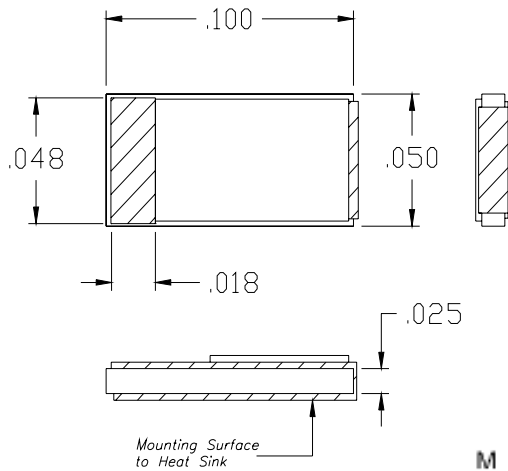
TERMINATION

Features:

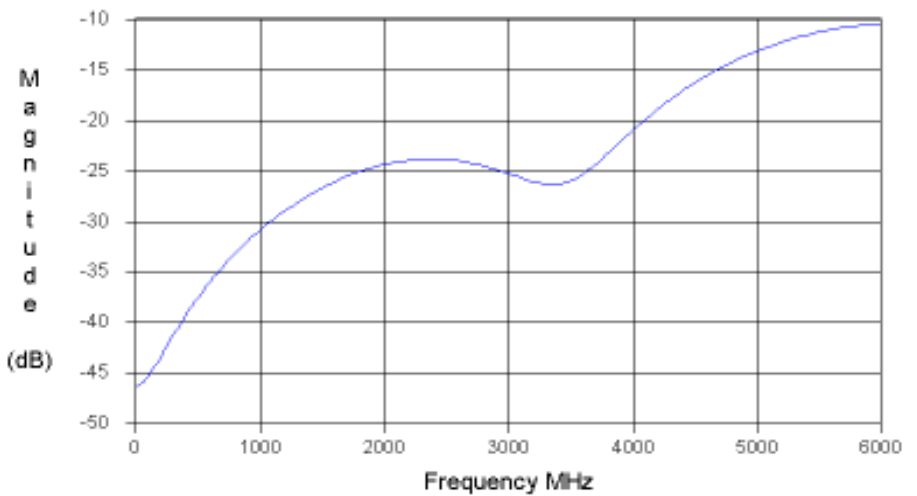
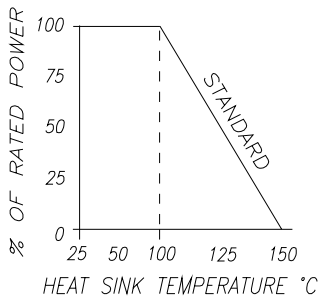
- ◆ BeO FREE™
- ◆ DC-4GHz performance
- ◆ 5 Watt power handling
- ◆ Solder mountable
- ◆ CT - Matte Tin over Nickel over Silver

General Description:

The TV1005CT-50R0JN-83 is a solder mountable BeO FREE™ termination with a power handling of 5 Watts while maintaining a heat sink temperature of 100°C and a frequency range from DC - 4 GHz.



DERATING CURVE:



Parameter	Min.	Typ.	Max.	Units
Frequency Range	DC		4	GHz
Return Loss	20			
Power Dissipation			5	Watts
Heat Sink Temperature			100	°C

* Barry Industries reserves the right to change part number and or process without notification

Barry Industries, Inc., 60 Walton St., Attleboro, MA 02703 T: 508-226-3350 F: 508-226-3317 E-mail: sales@barryind.com

Barry Industries maintains an ISO 9001 Certified Quality Management System

Date	Rev.
7/10/03	A