



WWW.BARRYIND.COM

TV0202*ZZ-XXXXWN-AA



Alumina and BeO CHIP TERMINATION

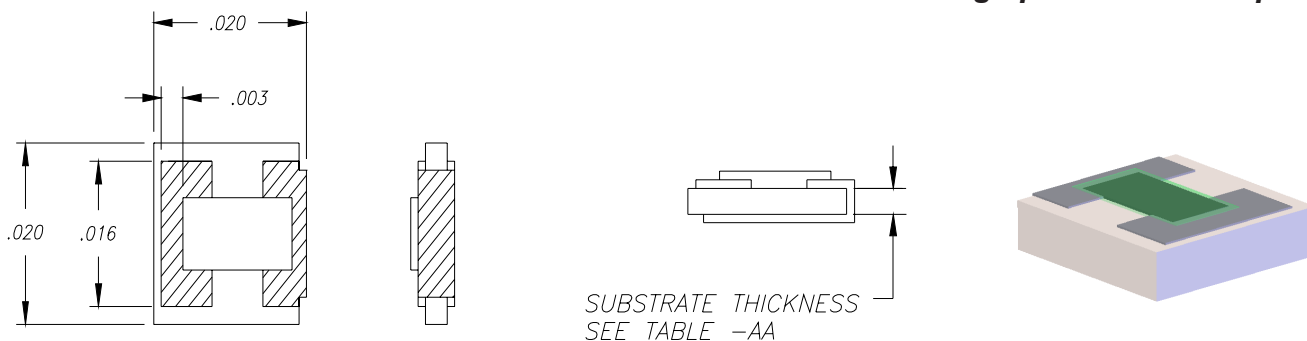
Features:

- ◆ Compact Design
- ◆ DC - 6 GHz Performance
- ◆ Several Mounting Options Available

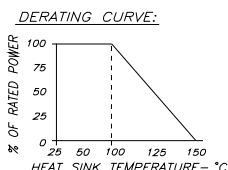
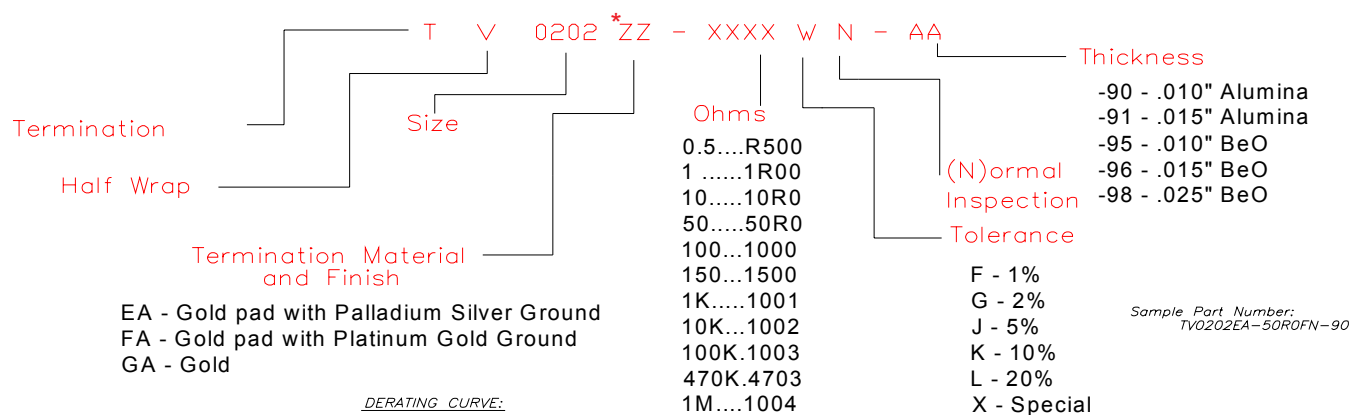
General Description:

The TV0202 series is a chip termination with a frequency range up to 6 GHz. It offers a small package design and has a peak voltage of 20V. It is available in BeO and Alumina with several mounting options.

See below for ordering options and RF specs.



See chart below for ordering options



DASH NO.	AA=SUBSTRATE THICKNESS	Power/Freq./VSWR/Cap pF
-90	.010 ALUMINA	0.05/DC-6/1.22:1/<0.1
-91	.015 ALUMINA	0.05/DC-6/1.22:1/<0.1
-95	.010 BeO	0.15/DC-6/1.22:1/<0.1
-96	.015 BeO	0.13/DC-6/1.22:1/<0.1
-98	.025 BeO	0.05/DC-6/1.22:1/<0.1

Barry Industries reserves the right to change part number and or process without notification.

Barry Industries, Inc., 60 Walton St., Attleboro, MA 02703 T: 508-226-3350 F: 508-226-3317 E-mail: sales@barryind.com

Barry Industries maintains an ISO 9001 Certified Quality Management System

Origination Date	Revision Date	Rev.
10/29/03	07/01/08	B