

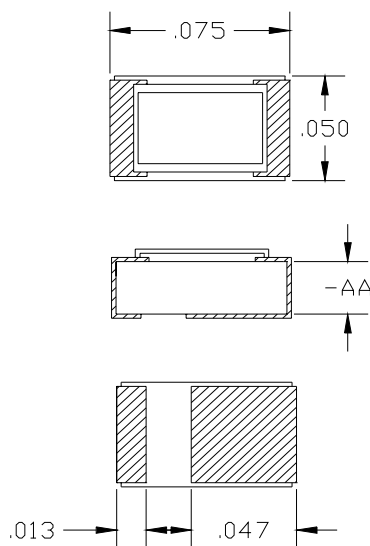
SURFACE MOUNT RESISTOR

Features:

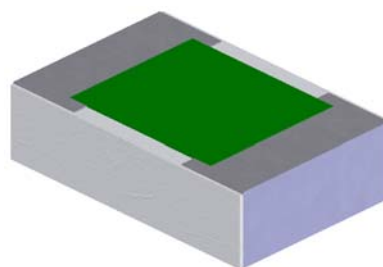
- ◆ BeO, Aluminum Nitride or BeO Free™ material
- ◆ Surface Mount

General Description:

The RZ0805ZZ-XXXXYN-AA series is a standard surface mount resistor (.5 - 1 Meg- ohm available). It offers a small package design available in BeO, Aluminum Nitride or BeO Free™.

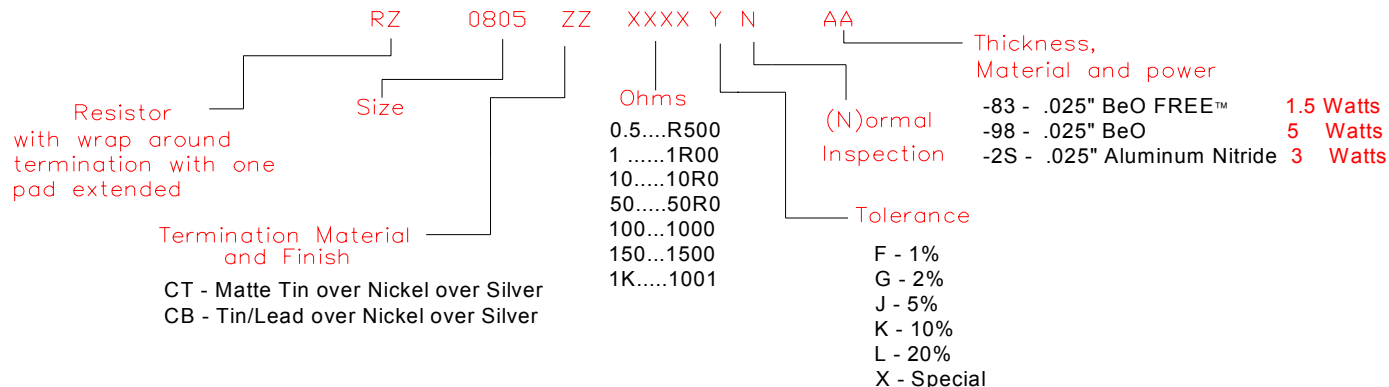
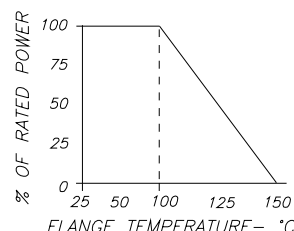


See below for ordering options



Dimensions in inches
Tolerance ± .005
unless otherwise stated

DERATING CURVE:



* Barry Industries reserves the right to change part number and or process without notification

Barry Industries, Inc., 60 Walton St., Attleboro, MA 02703 T: 508-226-3350 F: 508-226-3317 E-mail: sales@barryind.com

Barry is ISO 9001:2000 Certified by



Origination Date	Revision Date	Rev.
4/13/04	9/25/07	B