



WWW.BARRYIND.COM

RYC2525CT-XXXXJN-83



BeO Free™

High Power Resistor

Features:

- ◆ BeO-FREE™ material
- ◆ 40W power handling

General Description:

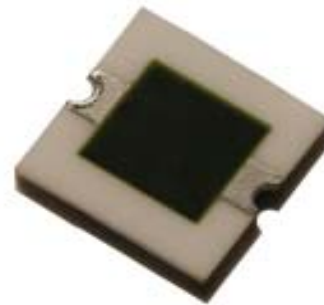
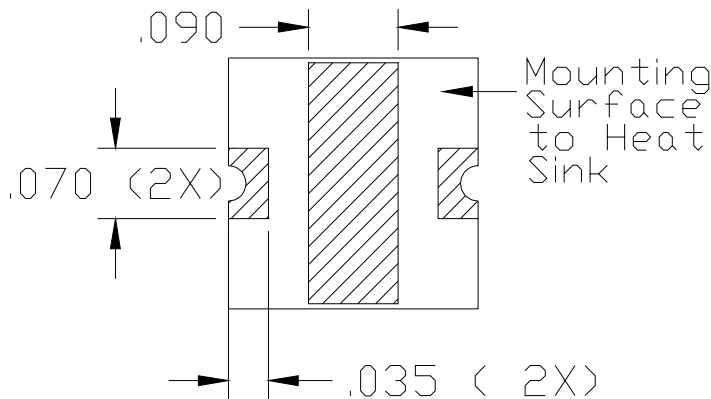
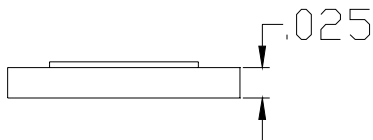
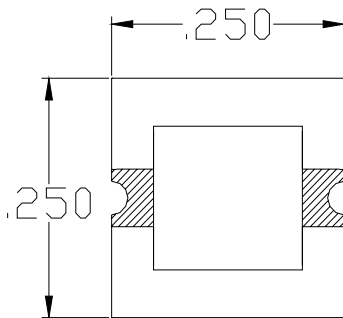
The RYC2525CT-XXXXJN-83 is a BeO FREE™ solder mountable capable of dissipating 40 Watts while maintaining a 100°C heat sink temperature. Standard resistance values are 50 Ohms and 100 Ohms. Other values are available. Contact the factory for ordering options.

Example part numbers: RYC2525CT-50R0JN-83

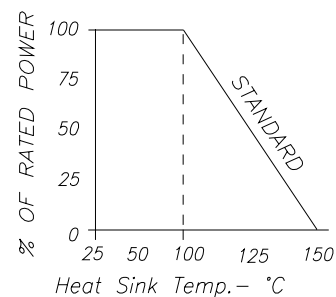
(50 Ohm part)

RYC2525CT-1000JN-83

(100 Ohm part)



DERATING CURVE:



Parameter	Min.	Typ.	Max.	Units
Power Dissipation		40		Watts
Heat Sink Temperature			100	°C

* Barry Industries reserves the right to change part number and or process without notification

Barry Industries, Inc., 60 Walton St., Attleboro, MA 02703 T: 508-226-3350 F: 508-226-3317 E-mail: sales@barryind.com

Barry is ISO 9001:2000 Certified by



Date	Rev.
1/03/06	-