

## BeO

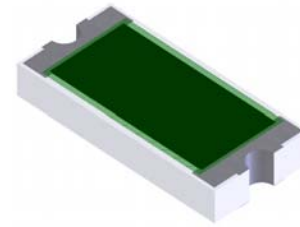
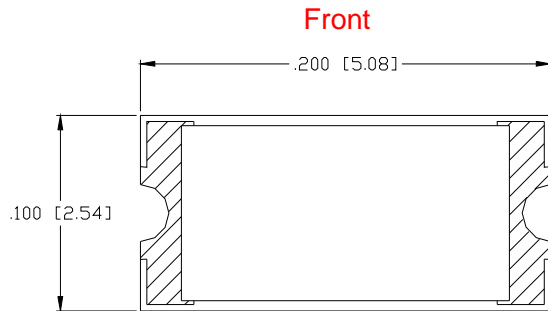
## POWER CHIP RESISTOR

### Features:

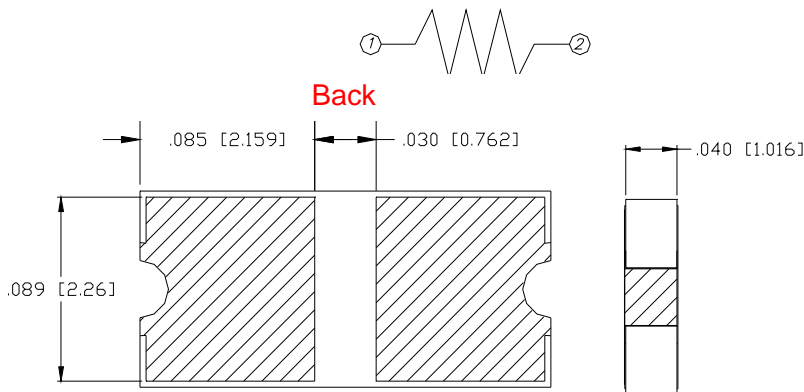
- ◆ BeO Material
- ◆ DC - 2 GHz Performance
- ◆ 30 Watt Input Power
- ◆ CT = Matte Tin over Nickel over Silver
- ◆ Surface Mountable

### General Description:

The REC2010CT-XXXX\*JN-99 is a standard (.5 - 1Mohm available) surface mountable BeO power chip resistor. It has an input power rating of 30 watts, while maintaining a heat sink temperature of 100°C. It offers a frequency range from DC to 2 GHz.



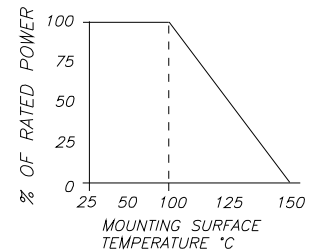
\* XXXX = Resistance Value in Ohms  
.5 - 1Mohm available



- Ohms
- 0.5...R500
  - 1 .....1R00
  - 10.....10R0
  - 50.....50R0
  - 100...1000
  - 150...1500
  - 1K.....1001
  - 10K...1002
  - 100K.1003
  - 470K.4703
  - 1M....1004

Sample part number:  
REC2010CT-50R0JN-99

### DERATING CURVE:



Dimensions in inches [mm]  
Tolerance ± .005 [.127]  
unless otherwise stated

Parameter	Min.	Typ.	Max.	Units
Frequency			2	GHz
Resistance Tolerance		+/- 5%		Ohms
Input Return Loss	17			dB
Input Power Rating			30	Watts
Mounting Surface Temperature			100	°C

Barry Industries reserves the right to change part number and or process without notification.

Barry Industries, Inc., 60 Walton St., Attleboro, MA 02703 T: 508-226-3350 F: 508-226-3317 E-mail: sales@barryind.com

Barry Industries maintains an ISO 9001 Certified Quality Management System

Origination Date	Revision Date	Rev.
9/25/07	06/14/10	A